



## Smart Power Air Conditioning

7-22kW Quiet and discreet whole-of-home heating and cooling with High Static, Low Profile and Cassette indoor unit options. Capacities from 7kW to 22kW, with R32 refrigerant and a variety of controller options, including SmartHQ™.

### Features

#### Whole of home conditioning

Create a consistent and comfortable temperature throughout your entire home, including large open spaces.

#### Zone control

By dividing the home into zones, you have greater control and can turn the airflow off or on or change the temperature to individual zones. Using the Haier zone controller, up to eight zones can be configured to suit your individual needs; systems are also compatible with most leading aftermarket zone control platforms.

#### Extensive range

With capacities from 7kW to 28kW, including a new 10.5kW (replacing 10kW) we have a system that can heat/cool a variety of spaces.

#### Refrigerant-Cooled PCB for Extreme Conditions

Our 22kW and 25kW systems feature a refrigerant-cooled PCB in the outdoor unit, ensuring reliable performance even in harsh environments - operating safely in ambient temperatures up to 55 °C.

#### Respect for the planet

Haier ducted systems use a next-generation R32 refrigerant, which carries heat efficiently and has 33% of the global warming.

#### Connected

The global No. 1 connected air conditioner brand\*, Haier makes life easier with convenient control of your Wi-Fi enabled appliances through the SmartHQ™ app. But with 20 kW and 22 kW ducted systems come fully equipped with built-in Wi-Fi

#### Enhanced Safety Built In

Haier 20 kW and 22 kW ducted systems feature an integrated indoor refrigerant sensor, designed to continuously monitor system conditions and provide an extra layer of operational safety.

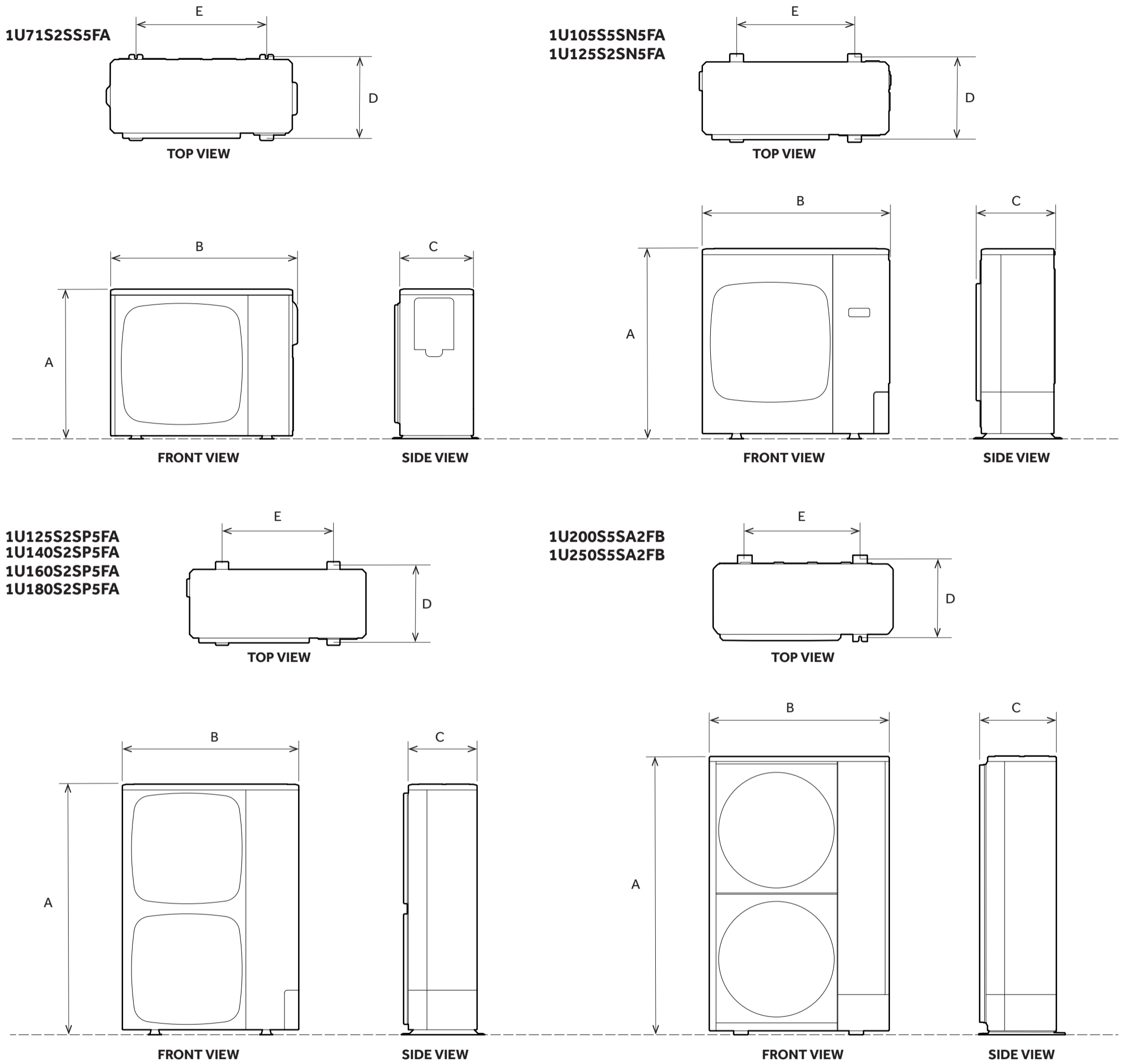
#### 2-Wire Control for Greater Stability

Our 20&22kW system uses a streamlined 2-wire control design, delivering more stable operation and improved reliability across all conditions.



# Smart Power Air Conditioning

## OUTDOOR UNIT DIMENSIONS



DRAWING NOT TO SCALE

	Model	1U71S2SS5FA	1U105S5SN5FA 1U125S2SN5FA	1U125S2SP5FA 1U140S2SP5FA 1U160S2SP5FA 1U180S2SP5FA	1U200S5SA2FB 1U250S5SA2FB
A	Product Height (mm)	760	965	1350	1630
B	Product Width (mm)	920	950	950	1076
C	Product Depth (mm)	372	470	370	449
D	Fixing Point Depth (mm)	402	407	404	461
E	Fixing points width (mm)	661	600	600	674

90005828B - The models shown in this Specification Guide (SG) may not be available in all markets and are subject to change at any time. Product specifications may vary from those shown. This SG should not be used as installation guidance for any product. Further information is required to safely and correctly install the products featured here. Specific installation guidance will be available with the product on delivery and on our website [haierhome.com](http://haierhome.com)

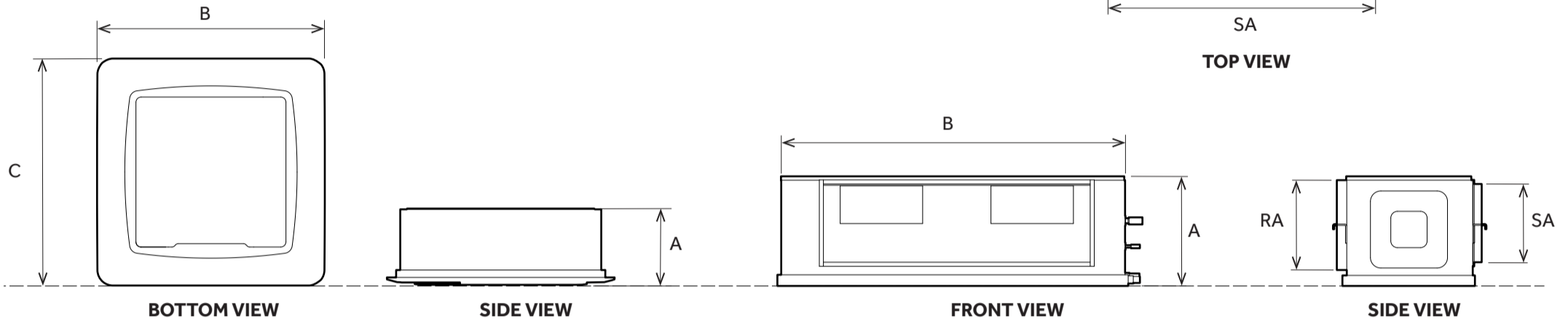


# Smart Power Air Conditioning

## INDOOR UNIT DIMENSIONS

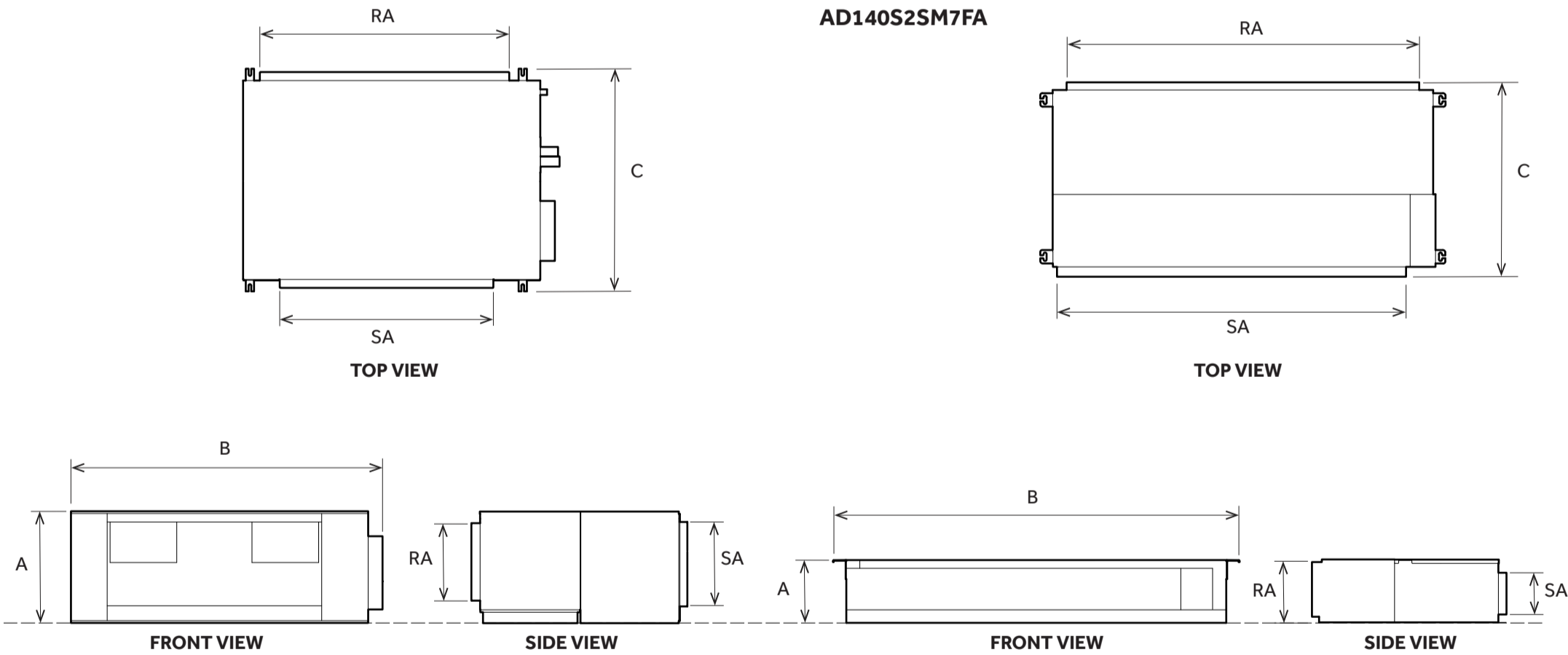
ABH071H5ERG  
 ABH105K5ERG  
 ABH125K5ERG  
 AB140S5SR1FA

AD105S2SH5FA  
 AD125S2SH5FA  
 AD140S2SH5FA  
 AD160S2SH5FA



AD180S5PH2FA  
 AD200S5SH2FA  
 AD250S5SH2FA

AD71S2SM7FA  
 AD105S2SM7FA  
 AD125S2SM7FA  
 AD140S2SM7FA



DRAWING NOT TO SCALE

	Model	ABH071H5ERG	ABH105K5ERG ABH125K5ERG AB140S5SR1FA	AD105S2SH5FA AD125S2SH5FA AD140S2SH5FA AD160S2SH5FA	AD180S5PH2FA AD200S5SH2FA AD250S5SH2FA	AD71S2SM7FA	AD105S2SM7FA AD125S2SM7FA AD140S2SM7FA
A	Product Height (mm)	246	288	425	500	248	248
B	Product Width (mm)	840	840	1350	1330	1100	1500
C	Product Depth (mm)	840	840	490	895	700	700
SA	Supply Air connection W x H (mm)	/	/	1045x307	958x377	992x165	1392x165
RA	Return Air connection W x H (mm)	/	/	1163x353	1118x345	978x238	1378x238

90005828B - The models shown in this Specification Guide (SG) may not be available in all markets and are subject to change at any time. Product specifications may vary from those shown. This SG should not be used as installation guidance for any product. Further information is required to safely and correctly install the products featured here. Specific installation guidance will be available with the product on delivery and on our website haierhome.com



# Smart Power Air Conditioning

## Product Specifications - Casette

Model		Set	ABH071HS5FA-SET	ABH105KN5FA-SET	ABH125KP5FA-SET	AB140S5SR1FA-SET	
		Indoor	ABH071H5ERG	ABH105K5ERG	ABH125K5ERG	AB140S5SR1FA	
		Outdoor	1U71S2SS5FA	1U105S5SN5FA	1U125S2SP5FA	1U140S2SP5FA	
Capacity (Minimum~ Maximum)	Cooling	kW	7.1 (2.0~8.0)	10.0 (2.5~11.0)	12.0 (3.5~14.0)	14.0 (6.0~14.6)	
	Heating (H1)	kW	8.0 (2.0~9.0)	11.5 (2.5~12.0)	13.0 (4.0~15.0)	14.5 (7.0~17.0)	
Power input (Minimum~ Maximum)	Cooling	kW	2.07 (0.4~3.5)	3.12 (0.5~4.7)	3.80 (1.0~5.8)	4.09 (1.4~6.0)	
	Heating	kW	2.10 (0.4~3.5)	3.48 (0.5~4.7)	4.00 (1.0~5.8)	4.05 (1.5~5.8)	
AEER/ACOP		w/w	3.81 / 3.75	3.30 / 3.27	3.25 / 3.22	3.58 / 3.55	
Star Rating (Hot/Average/Cold)	Cooling		2.5 / 2.0 / 2.0	2.5 / 2.0 / 2.5	2.5 / 2.0 / 2.0	2.5 / 2.5 / 2.5	
	Heating		2.5 / 2.0 / 1.5	2.0 / 1.5 / 1.0	1.5 / 1.5 / 1.0	2.0 / 2.0 / 1.5	
TCSPF (Hot/Average/Cold)	Residential		4.14/3.762/3.797	4.305/3.972/4.097	4.088/3.806/3.915	4.358/4.056/4.161	
	Commercial		4.41/4.37/4.6	4.617/4.682/4.989	4.36/4.404/4.679	4.639/4.672/4.955	
HSPF (Hot/Average/Cold)	Residential		4.33/3.927/3.448	3.912/3.415/2.947	3.337/3.105/2.8	3.975/3.681/3.337	
	Commercial		4.326/4.078/3.679	3.913/3.494/3.119	3.325/3.182/2.849	3.969/3.787/3.497	
<b>Indoor Unit</b>							
Electrical Parameters	Power Input	Watt	120	120	120	150	
	Air flow	l/s	445/415/375/335	490/405/335/295	530/435/375/295	545/460/385	
	Sound Power level	dB(A)	58/55/52/48	61/58/53/50	62/59/56/52	66/64/60	
	Sound pressure level (H/M/L)	dB(A)	42/39/36/32	45/42/37/34	46/43/40/36	50/48/44	
Installation	External dimensions	HxWxD mm	246x840x840	288x840x840	288x840x840	288x840x840	
	Shipping dimensions	HxWxD mm	310x990x990	380x990x990	380x990x990	353x978x978	
	Net/Shipping weight	kg	31 / 36	32 / 38	32 / 38	28 / 34	
	Drain	mm	DN25	DN25	DN25	DN25	
	Water Pump lift	mm	1200	1200	1200	1200	
	Controller	Standard		YR-HQS01	YR-HQS01	YR-HQS01	YR-HQS01
		Optional - Standard		HW-SA201ABK	HW-SA201ABK	HW-SA201ABK	HW-SA201ABK
		Optional - Weekly Timer		HW-PA201ABK	HW-PA201ABK	HW-PA201ABK	HW-PA201ABK
		Wireless		YR-HQS01	YR-HQS01	YR-HQS01	YR-HQS01
		Wifi		HI-WB101DEI	HI-WB101DEI	HI-WB101DEI	HI-WB101DEI
Facia Panel	Model		PB-950KB	PB-950KB	PB-950KB	PB-950QB	
External dimensions(W/D/H)	mm		950x950x50	950x950x50	950x950x50	950x950x50	
Shipping dimensions(W/D/H)	mm		1000x1000x110	1000x1000x110	1000x1000x110	1000x1000x110	
Net/Shipping weight	kg		6.5 / 9	6.5 / 9	6.5 / 9	5.5/8.0	
<b>Outdoor Unit</b>							
Electrical Parameters	Power supply	Ph/V/Hz	1/220~240/50	1/220~240/50	1/220~240/50	1/220~240/50	
	Rated Current (RLA)	Cooling	9	13.6	17	17.8	
		Heating	9.2	15.1	17.2	17.6	
	Minimum circuit amps (MCA)	Amps	16	22	26	32	
Performance	Air flow (H)	m3/h	3200	4000	6500	7000	
	Sound power level	dB(A)	64	68	69	70	
	Sound pressure level	dB(A)	47	52	52	54	
Installation	External dimensions	HxWxD mm	760x920x372	965x950x370	1350x950x370	1350x950x370	
	Net/Shipping weight	kg	60/65	74 / 85	100/118	105/118	
	Compressor type		DC Inverter Twin rotary				
	Refrigerant type		R32	R32	R32	R32	
	Refrigerant liquid pipe	mm	9.52 (3/8)	9.52 (3/8)	9.52 (3/8)	9.52 (3/8)	
	Refrigerant gas pipe	mm	15.88 (5/8)	15.88 (5/8)	15.88 (5/8)	19.05 (3/4)	
	Max pipe length	m	50	50	75	70	
	Max drop between I.U.&O.U	m	30	30	30	30	
	Pre-Charge refrigerant	kg	1.7	2.3	2.9	2.9	
	Pre-Charge line length	m	20	20	30	30	
Additional charge	g/m	45	45	45	45		
Working temp.	Cooling(Min-Max)	°C	-15 to 50	-15 to 50	-15 to 50	-15 to 50	
	Heating(Min-Max)	°C	-20 to 24	-20 to 24	-20 to 24	-20 to 24	
DRED	Peak Smart (DRED) ready		HPRT-DRA001	YES	YES	YES	

90005828B - The models shown in this Specification Guide (SG) may not be available in all markets and are subject to change at any time. Product specifications may vary from those shown. This SG should not be used as installation guidance for any product. Further information is required to safely and correctly install the products featured here. Specific installation guidance will be available with the product on delivery and on our website haierhome.com



# Smart Power Air Conditioning

## Product Specifications - Low Profile Ducted

Model		SET	AD71SMS5FA-SET	AD105MN5FA-SET	AD125MP5FA-SET	AD140MP5FA-SET
		Indoor unit	AD71S2SM7FA	AD105S2SM7FA	AD125S2SM7FA	AD140S2SM7FA
		Outdoor unit	1U71S2SS5FA	1U105S5SN5FA	1U125S2SP5FA	1U140S2SP5FA
Capacity (Min- Max)	Cooling	kW	7.1 (2.0 ~ 8.5)	10.5 (2.5 ~ 11.0)	12.0 (3.5 ~ 14.0)	13.0 (3.5 ~ 15.0)
	Heating	kW	7.8 (2.0 ~ 9.5)	12.0 (2.5 ~ 12.0)	14.0 (4.0 ~ 16.0)	15.0 (4.0 ~ 18.0)
Power input (Min- Max)	Cooling	kW	2.10 (0.40 ~ 3.50)	3.28 (0.50 ~ 5.00)	3.77 (1.00 ~ 5.80)	4.11 (1.00 ~ 6.80)
	Heating	kW	2.20 (0.40 ~ 3.50)	3.43 (0.50 ~ 5.00)	4.01 (1.00 ~ 5.80)	4.29 (1.00 ~ 6.50)
AEER/ACOP		w/w	3.33 / 3.49	3.17 / 3.46	3.15 / 3.46	3.14 / 3.47
TCSPF (Hot/Average/Cold Climate)	Residential		3.964/3.609/3.631	4.124/3.82/3.918	3.947/3.678/3.76	4.134/3.858/3.977
	Commercial		4.209/4.151/4.359	4.401/4.435/4.707	4.19/4.201/4.445	4.41/4.465/4.749
HSPF (Hot/Average/Cold Climate)	Residential		3.59/3.403/3.111	3.945/3.488/3.017	3.594/3.306/2.938	3.646/3.351/2.978
			3.576/3.453/3.216	3.94/3.672/3.176	3.581/3.407/3.018	3.634/3.455/3.06
<b>Indoor Unit</b>						
Electrical Parameters	Power Input	Watt	200	200	375	375
Performance	Air flow	l/s	400/350/310/250	560/485/385/360	625/545/470/420	695/600/495/420
	ESP	Pa	0~150	0~150	25~150	25~150
	Sound pressure level	dB(A)	42/38/35/32	44/40/37/34	45/42/37/34	46/43/38/35
Installation	External dimensions	HxWxD mm	248x1100x700	248x1500x700	248x1500x700	248x1500x700
	Shipping dimensions	HxWxD mm	320x1290x840	330x1710x870	330x1710x870	330x1710x870
	Net/Shipping weight	kg	38/44	52/62	52/62	52/62
	Supply Air connection	(WxH) mm	992x165	1392x165	1392x165	1392x165
	Return Air connection	(WxH) mm	978x238	1378x238	1378x238	1378x238
	Drain	mm	Ø25 (OD)	Ø25 (OD)	Ø25 (OD)	Ø25 (OD)
	Water Pump	mm	600	600	600	600
	Controller	Standard	/	/	/	/
		Optional - Standard	HW-SA201ABK	HW-SA201ABK	HW-SA201ABK	HW-SA201ABK
		Optional - Weekly Timer	HW-PA201ABK	HW-PA201ABK	HW-PA201ABK	HW-PA201ABK
Wireless		YR-HQS01/RE-02	YR-HQS01/RE-02	YR-HQS01/RE-02	YR-HQS01/RE-02	
	Wifi	HI-WB101DEI	HI-WB101DEI	HI-WB101DEI	HI-WB101DEI	
<b>Outdoor Unit</b>						
Electrical Parameters	Power supply	Ph/V/Hz	1/220-240/50	1/220-240/50	1/220-240/50	1/220-240/50
	Rated Current (RLA)	Cooling	9	13.8	16.4	17.9
		Heating	9.6	13.7	17.4	18.7
	Minimum circuit amps (MCA)	Amps	16	23	26	30
Performance	Air flow (H)	m <sup>3</sup> /h	3200	4000	6500	7000
	Sound power level	dB(A)	64	68	69	70
	Sound pressure level	dB(A)	47	52	52	53
Installation	External dimensions	HxWxD mm	760x920x372	965x950x370	1350x950x370	1350x950x370
	Net/Shipping weight	kg	60 / 65	74 / 85	105 / 118	108 / 121
	Compressor type		DC Inverter Twin rotary			
	Refrigerant type		R32	R32	R32	R32
	Refrigerant liquid pipe	mm	9.52 (3/8)	9.52 (3/8)	9.52 (3/8)	9.52 (3/8)
	Refrigerant gas pipe	mm	15.88 (5/8)	15.88 (5/8)	15.88 (5/8)	19.05 (3/4)
	Max pipe length	m	50	50	75	75
	Max drop between I.U.&O.U	m	30	30	30	30
	Refrigerant Qty	kg	1.7	2.3	2.9	2.9
	Chargeless length	m	20	20	30	30
Additional charge	g/m	45	45	45	45	
Working temp.	Cooling(Min-Max)	□	-15 to 50	-15 to 50	-15 to 50	-15 to 50
	Heating(Min-Max)	□	-20 to 24	-20 to 24	-20 to 24	-20 to 24
DRED	Peak Smart (DRED) ready		HPRT-DRA001	YES	YES	YES

90005828B - The models shown in this Specification Guide (SG) may not be available in all markets and are subject to change at any time. Product specifications may vary from those shown. This SG should not be used as installation guidance for any product. Further information is required to safely and correctly install the products featured here. Specific installation guidance will be available with the product on delivery and on our website haierhome.com



# Smart Power Air Conditioning

## Product Specifications - High Static Ducted

Model		SET	AD105HN5FA-SET	AD125HN5FA-SET	AD125HP5FA-SET	AD140HP5FA-SET	
		Indoor unit	AD105S2SH5FA	AD125S2SH5FA	AD125S2SH5FA	AD140S2SH5FA	
		Outdoor unit	1U105S5SN5FA	1U125S2SN5FA	1U125S2SP5FA	1U140S2SP5FA	
Capacity (Min~ Max)	Cooling	kW	10.3 (2.5 ~ 12.0)	12.5 (4.0 ~ 14.0)	12.5 (3.5 ~ 14.5)	14.0 (3.5 ~ 14.5)	
	Heating	kW	10.8 (2.5 ~ 13.5)	14.0 (4.1 ~ 15.0)	14.0 (4.0 ~ 16.5)	15.0 (6.0 ~ 18.0)	
Power input (Min~ Max)	Cooling	kW	3.05 (0.5 ~ 5.3)	3.89 (0.5 ~ 5.3)	3.68 (1.0 ~ 5.8)	4.43 (2.0 ~ 6.8)	
	Heating	kW	2.55 (0.5 ~ 5.3)	3.73 (0.5 ~ 5.3)	3.68 (1.0 ~ 5.8)	3.80 (2.0 ~ 6.5)	
AEER/ACOP		w/w	3.50/3.53	3.19/3.72	3.37/3.77	3.14/3.91	
TCSPF (Hot/Average/Cold Climate)	Residential		4.502/4.115/4.225	4.395/4.087/4.241	4.4/4.092/4.208	4.404/4.11/4.285	
	Commercial		4.835/4.883/5.193	4.714/4.805/5.135	4.693/4.74/5.035	4.728/4.84/5.186	
HSPF (Hot/Average/Cold Climate)	Residential		4.293/4.026/3.568	4.464/4.001/3.502	4.437/4.015/3.543	4.32/3.968/3.506	
	Commercial		4.279/4.105/3.738	4.465/4.183/3.761	4.436/4.178/3.78	4.312/4.092/3.713	
<b>Indoor Unit</b>							
Electrical Parameters	Power Input	Watt	540	550	550	600	
Performance	Air flow	l/s	800/665/525/385	905/765/625/490	905/765/625/490	1000/865/725/585	
	ESP	pa	37~210	37~210	37~210	37~210	
	Sound pressure level	dB(A)	45/41/37/33	47/44/42/39	47/44/42/39	49/46/43/40	
Installation	External dimensions	HxWxD mm	425x1350x490	425x1350x490	425x1350x490	425x1350x490	
	Net/Shipping weight	kg	59 / 70	59 / 70	59 / 70	61 / 72	
	Supply Air connection	(WxH) mm	1045x307	1045x307	1045x307	1045x307	
	Return Air connection	(WxH) mm	1163x353	1163x353	1163x353	1163x353	
	Drain	mm	Ø25 (OD)	Ø25 (OD)	Ø25 (OD)	Ø25 (OD)	
	Water Pump	mm	/	/	/	/	
	"Controller Options"	Standard		/	/	/	/
		Optional - Standard		HW-SA201ABK	HW-SA201ABK	HW-SA201ABK	HW-SA201ABK
		Optional - Weekly Timer		HW-PA201ABK	HW-PA201ABK	HW-PA201ABK	HW-PA201ABK
Wireless			RE-02&YR-HRS01	RE-02&YR-HRS01	RE-02&YR-HRS01	RE-02&YR-HRS01	
	Wifi		HI-WB101DEI	HI-WB101DEI	HI-WB101DEI	HI-WB101DEI	
<b>Outdoor Unit</b>							
Electrical Parameters	Power supply	Ph/V/Hz	1/220~240/50	1/220~240/50	1/220~240/50	1/220~240/50	
	Rated Current (RLA)	Cooling	14.3	17.26	16	19.3	
		Heating	14.9	16.56	16	17.2	
	Minimum circuit amps (MCA)	Amps	24	23	26	30	
Performance	Air flow (H)	m3/h	4000	4500	6500	7000	
	Sound power level (C/H)	dB(A)	68	74/75	69	70	
	Sound pressure level	dB(A)	52	58	52	53	
Installation	External dimension	HxWxD mm	965x950x370	965x950x370	1350x950x370	1350x950x370	
	Net/Shipping weight	kg	74 / 85	74 / 85	105 / 118	105 / 118	
	Compressor type		DC Inverter Twin rotary				
	Refrigerant type		R32				
	Refrigerant liquid pipe	mm	9.52 (3/8)	9.52 (3/8)	9.52 (3/8)	9.52 (3/8)	
	Refrigerant gas pipe	mm	15.88 (5/8)	15.88 (5/8)	15.88 (5/8)	19.05 (3/4)	
	Max pipe length	m	50	50	75	75	
	Max drop between I.U.&O.U	m	30	30	30	30	
	Pre-Charge refrigerant	kg	2.3	2.3	2.9	2.9	
	Pre-Charge line length	m	20	20	30	30	
	Additional charge	g/m	45	45	45	45	
Working temp.	Cooling(Min-Max)	°C	-15 to 50	-10 to 46	-15 to 50	-15 to 50	
	Heating(Min-Max)	°C	-20 to 24	-15 to 24	-20 to 24	-20 to 24	
DRED	Peak Smart (DRED) ready		Standard	Standard	Standard	Standard	

90005828B - The models shown in this Specification Guide (SG) may not be available in all markets and are subject to change at any time. Product specifications may vary from those shown. This SG should not be used as installation guidance for any product. Further information is required to safely and correctly install the products featured here. Specific installation guidance will be available with the product on delivery and on our website haierhome.com



# Smart Power Air Conditioning

## Product Specifications - High Static Ducted

Model		SET	AD160HP5FA-SET	AD180HP5FA-SET	AD200HA2FB-SET	AD250HA2FB-SET	
		Indoor unit	AD160S2SH5FA	AD180S2SH5FA	AD200S5SH2FA	AD250S5SH2FA	
		Outdoor unit	1U160S2SP5FA	1U180S2SP5FA	1U200S5SA2FB	1U250S5SA2FB	
Capacity (Min- Max)	Cooling	kW	15.5 (3.5 ~ 14.5)	18 (5.3~18.5)	20.0 (6.2 ~ 23.5)	22.0 (7.2 ~ 24.5)	
	Heating	kW	17.0 (6.0 ~ 19.0)	20.0 (6.0~22.0)	22.4 (6.8 ~ 24.4)	25.0 (8.2 ~ 27.2)	
Power input (Min- Max)	Cooling	kW	4.83 (2.0 ~ 7.0)	5.63 (2.0 ~ 7.0)	5.89 (2.5 ~ 7.1)	6.88 (3.5 ~ 8.3)	
	Heating	kW	4.53 (2.0 ~ 7.0)	5.33 (2.0 ~ 7.0)	5.85 (2.5 ~ 7.0)	6.68 (3.5 ~ 8.0)	
AEER/ACOP		w/w	3.19/3.73	3.17/3.72	3.37/3.80	3.18/3.72	
TCSPF (Hot/Average/Cold Climate)		Residential	4.357/4.081/4.24	4.173/3.9/4.022	4.586/4.291/4.436	4.362/4.11/4.265	
		Commercial	4.661/4.755/5.082	4.449/4.505/4.792	5.002/5.181/5.69	4.718/4.904/5.346	
HSPF (Hot/Average/Cold Climate)		Residential	4.523/3.963/3.404	3.703/3.08/2.676	4.364/4.004/3.603	4.222/3.847/3.405	
		Commercial	4.525/4.192/3.595	3.686/3.165/2.868	4.36/4.138/3.799	4.219/3.988/3.62	
<b>Indoor Unit</b>							
Electrical Parameters	Power Input	Watt	600	600	800	800	
Performance	Air flow	l/s	1115/945/780/615	1200/1050/890/725	1200/1050/950/850		
	ESP	pa	37~210	40~270Pa	40~300	40~300	
	Sound pressure level	dB(A)	51/47/44/40	54/49/44/39	63/60/58/51	63/61/60/53	
Installation	External dimensions	HxWxD mm	425x1350x490	500x1330x895	500x1330x895	500x1330x895	
	Net/Shipping weight	kg	61 / 72	94/125	92.5/147	92.5/147	
	Supply Air connection	(WxH) mm	1045x307	958x377	959x377	959x377	
	Return Air connection	(WxH) mm	1163x353	1118x345	1118x347	1118x347	
	Drain	mm	Ø25 (OD)	Ø25 (OD)	Ø25 (OD)	Ø25 (OD)	
	Water Pump	mm	/	/	/	/	
	"Controller Options"	Standard		/	/	/	/
		Optional - Standard		HW-SA201ABK	HW-SA201ABK	HW-SA301AFK	HW-SA301AFK
		Optional - Weekly Timer		HW-PA201ABK	HW-PA201ABK	HW-PB101AFK	HW-PB101AFK
		Wireless		RE-02&YR-HRS01	RE-02&YR-HRS01	RE-02&YR-HRS01	RE-02&YR-HRS01
	Wifi		HI-WB101DEI	HI-WB101DEI	Incorporated	Incorporated	
<b>Outdoor Unit</b>							
Electrical Parameters	Power supply	Ph/V/Hz	1/220~240/50	1/220~240/50	3/400/50	3/400/50	
	Rated Current (RLA)	Cooling	21.0	21	8.71	10.18	
		Heating	20.5	21.5	8.66	9.89	
	Minimum circuit amps (MCA)	Amps	31	31	10.5	12.2	
Performance	Air flow (H)	m <sup>3</sup> /h	7500	7800	12500	12500	
	Sound power level (C/H)	dB(A)	73	73/75	77/79	78/79	
	Sound pressure level	dB(A)	56	57/59	63	63	
Installation	External dimension	HxWxD mm	1350x950x370	1350x950x370	1635x1050x400	1635x1050x400	
	Net/Shipping weight	kg	105 / 118	107/120	143 / 175	143 / 175	
	Compressor type		DC Inverter Twin rotary				
	Refrigerant type		R32		R32		
	Refrigerant liquid pipe	mm	9.52 (3/8)	9.52(3/8)	12.7 (1/2)	12.7 (1/2)	
	Refrigerant gas pipe	mm	19.05 (3/4)	19.05(3/4)	19.05 (3/4)	19.05 (3/4)	
	Max pipe length	m	75	75	75	75	
	Max drop between I.U.&O.U	m	30	30	30	30	
	Pre-Charge refrigerant	kg	2.9	3.1	5.2	5.2	
	Pre-Charge line length	m	30	30	30	30	
	Additional charge	g/m	45	45	90	90	
Working temp.	Cooling(Min-Max)	°C	-15 to 50	-15 to 50	-10 to 55	-10 to 55	
	Heating(Min-Max)	°C	-20 to 24	-20 to 24	-20 to 24	-20 to 24	
DRED	Peak Smart (DRED) ready		Standard	Standard	Incorporated	Incorporated	

**90005828B** - The models shown in this Specification Guide (SG) may not be available in all markets and are subject to change at any time. Product specifications may vary from those shown. This SG should not be used as installation guidance for any product. Further information is required to safely and correctly install the products featured here. Specific installation guidance will be available with the product on delivery and on our website [haierhome.com](http://haierhome.com)