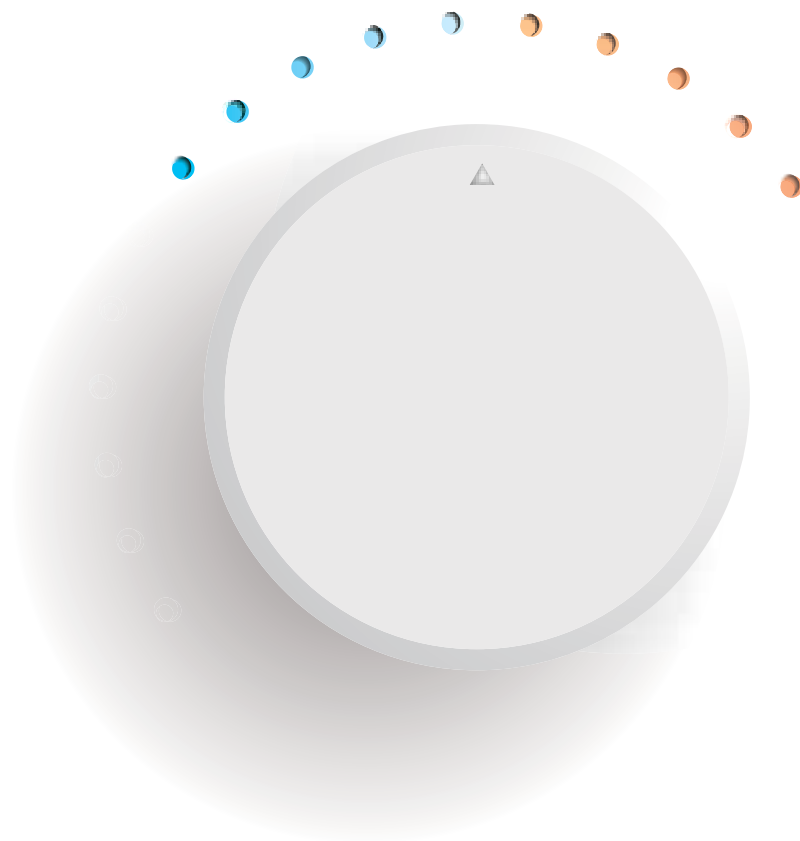


# Smart Power

Ducted and Cassette

DC Inverter Air Conditioning Split Systems



Haier

Product Brochure



## Contents

Ducted air conditioning system	4
Smart Power outdoor	6
High static ducted	8
High static ducted specifications	10
Low profile ducted	12
Low profile ducted specifications	14
Round way cassette	16
Round way cassette specifications	18
Controls	20
Outdoor unit drawings	22
Indoor unit drawings	24
Haier brand story	26



## DUCTED AIR CONDITIONING SYSTEM

### Smart Power

Haier's Smart Power ducted air conditioning systems provide an effective whole-of-home heating and cooling solution. Also suitable for commercial spaces, the system is made up of:

- an outdoor unit in a suitable location
- an indoor unit, often located out of view in the ceiling
- flexible ductwork to deliver airflow to multiple rooms through discreet vents
- a controller that is used to control the whole air conditioning system.

To suit all kinds of installation requirements, we offer three types of indoor unit:

- High static ducted
- Low profile ducted
- Round way cassette.



### Zone control

For control over the airflow to individual rooms, Haier offers an optional SmartZone controller.

With up to eight controllable zones, SmartZone lets you turn the airflow on or off to rooms depending on how they are used, minimising unnecessary heating or cooling for improved efficiency.



With SmartZone installed, air conditioning is switched on for only the three occupied rooms.



## FEATURES AND BENEFITS

### Wi-Fi connectivity

It is simple to make the Haier Smart Power System Wi-Fi compatible. Purchase the additional accessory (HI-WB101DEI) and connect it to the indoor unit and your internet via your Wi-Fi router. Then you can control your Haier system wherever you are by smart phone or tablet.

Download the Haier SmartHQ™ app, free from Apple® or on Google Play.



### Corrosion protection

Haier evaporators have a Blue Fin coating that protects the unit, with strong corrosion resistance and super hydrophilic performance.

### R32 lower-impact refrigerant

Our air conditioning systems use a next-generation R32 refrigerant, which efficiently carries heat and has a lower environmental impact than R410A.



### Large fans, low sound level

Quieter operation is achieved by our industry-leading 550mm fan and a unique outlet grille that offers less resistance to airflow.

### Handles for easier transport

Each outdoor unit is designed with four handles, allowing two people to carry it.

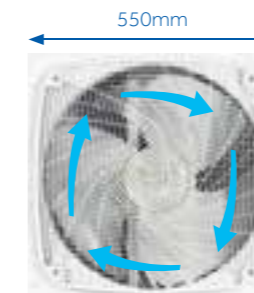


## SMART POWER OUTDOOR

With a 180° sine wave DC inverter, the Smart Power outdoor unit is designed for quiet and efficient operation, paired with an indoor unit to suit the installation.



Competitor Fan Grille



Haier Fan Grille





## HIGH STATIC DUCTED

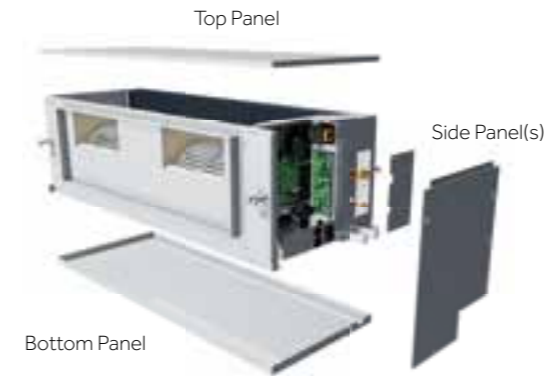
The Smart Power high static ducted indoor unit delivers powerful heating and cooling to every room, installed hidden in the ceiling cavity or under the floor for an uninterrupted interior.

Wi-Fi compatible with the optional accessory (HI-WB101DEI).

## FEATURES AND BENEFITS

### Serviceability

Top, bottom or side panels are removable for servicing and installation (10.5–16kW).



### Backup drain tray

High static indoor units are designed to incorporate two drain trays for condensate removal. The secondary tray is a backup in case the first one overflows due to a blockage.



### Compact dimensions

The high static indoor unit (10–15.5kW models) has a compact chassis, designed to fit in small ceiling spaces and between standard roof truss spacings of 600mm.



### 10-step ESP adjustment

External static pressure (ESP) can be adjusted using the controllers, YR-E17A or YR-E16B. No need to open the electrical box and adjust by switch or plug, reducing installation time.



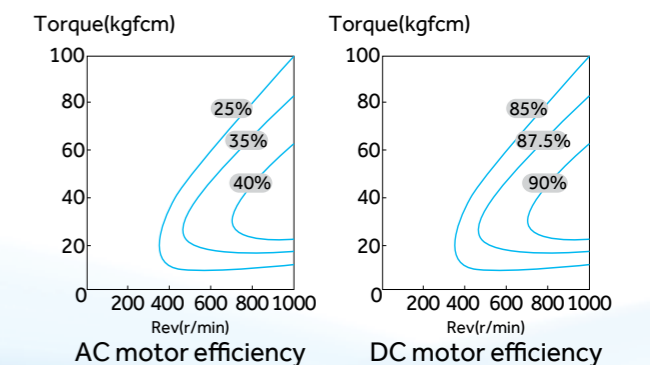
### Two-piece design

For easier installation, the 18 and 20kW indoor units can be separated into two manageable pieces. The single unit can then be reassembled in the ceiling.



### DC fan motor

DC fan motors are renowned for using less energy than a standard AC motor. They are also highly adjustable for better airflow and static pressure tuning.



# HIGH STATIC DUCTED SPECIFICATIONS

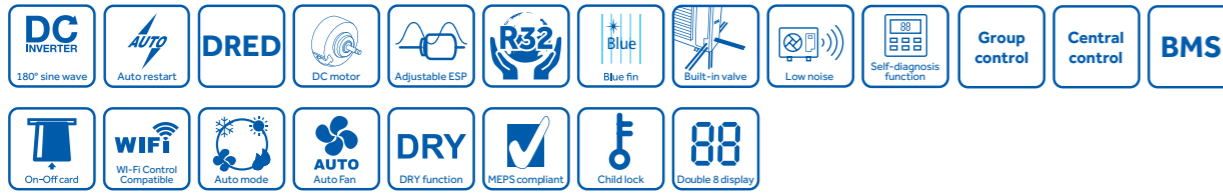


Outdoor unit  
1U100S2SN5FA  
1U125S2SN5FA

Outdoor unit  
1U125S2SP5FA  
1U140S2SP5FA  
1U160S2SP5FA  
1U180S2SP5FA



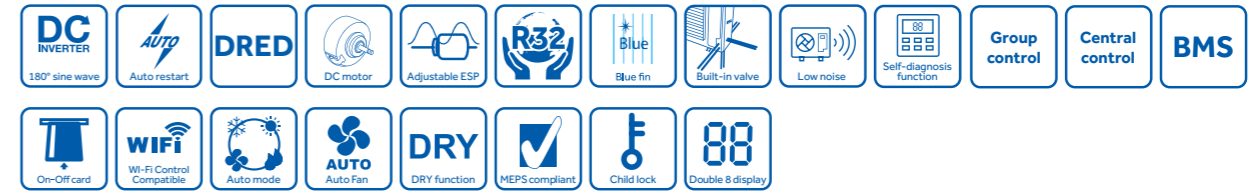
Indoor unit  
AD100S2SH5FA  
AD125S2SH5FA  
AD140S2SH5FA  
AD160S2SH5FA



Outdoor unit  
1U200H1ERK



Indoor unit  
ADH200H1ERG  
AD180S2SH5FA



Model			AD100HNS5FA-SET		AD125HP5FA-SET		AD125HNS5FA-SET		AD140HP5FA-SET		AD160HP5FA-SET	
			Indoor unit	AD100S2SH5FA	AD125S2SH5FA	AD125S2SH5FA	AD140S2SH5FA	AD160S2SH5FA	Outdoor unit	1U100S2SN5FA	1U125S2SN5FA	1U125S2SP5FA
Nominal performance data	Rated capacity	Cooling	kW	10.0 (2.5-11.0)	12.5 (4.0-14.0)	12.5 (3.5-14.5)	14.0 (3.5-15.0)	15.5 (3.5-17.5)				
		Heating	kW	11.5 (2.5-12.0)	14.0 (4.1-15.0)	14.0 (4.0-16.5)	16.0 (6.0-18.0)	18.0 (6.0-19.0)				
	Rated power input	Cooling	kW	3.12 (0.5-5.3)	3.89 (0.5-5.3)	3.68 (1.0-5.8)	4.43 (2.0-6.8)	4.83 (2.0-7.0)				
		Heating	kW	3.19 (0.5-5.3)	3.73 (0.5-5.3)	3.68 (1.0-5.8)	4.57 (2.0-6.5)	4.80 (2.0-7.0)				
	EER / COP		w/w	3.21 / 3.61	3.21 / 3.75	3.40 / 3.80	3.16 / 3.50	3.21 / 3.75				
AEER / ACOP		w/w	3.17 / 3.57	3.19 / 3.72	3.37 / 3.77	3.14 / 3.48	3.19 / 3.72					
<b>Indoor Unit</b>												
Electrical	Power Input	Watt	540	550				600				
Performance	Air flow	l/s	800/665/525/385	905/765/625/490	905/765/625/490	1000/865/725/585	1115/945/780/615					
	ESP	Pa	37-210									
	Sound pressure level	(H/M/L) dB(A)	45/41/37/33	47/44/42/39	47/44/42/39	49/46/43/40	51/47/44/40					
Installation	External dimensions	(WxDxH) mm	1350x490x425									
	Net/Shipping weight	kg	59 / 70				61 / 72					
	Supply Air connection	(WxH) mm	1045 x 307									
Return Air connection	(WxH) mm	1163x353										
Controls	Wired Controller	Optional - Touch	YR-E17A									
	Wired Controller	Optional - Timeclock	YR-E16B									
	Wireless Controller	Optional	RE02&YR-HBS01									
	Wi-Fi	Optional	HI-WB101DEI									
<b>Outdoor Unit</b>												
Electrical Parameters	Power supply	Ph/V/Hz	1/220-240/50									
	Rated Current	Cooling	Amps	13.6	17.26	16	19.3	21				
		Heating	Amps	13.9	16.56	16	19.9	20.9				
	Maximum Current	Amps	23.2	23.2	26.0	30.0	31.0					
Performance	MCA	Amps	32.0									
	Air flow (H)	m <sup>3</sup> /h	4000	4500	6500	7000	7500					
	Sound power level	dB(A)	68	75	69	70	73					
	Sound pressure level	dB(A)	52	58	52	53	56					
	External dimension	(WxDxH) mm	950x370x965			950x370x1350						
Installation	Net/Shipping weight	kg	82 / 94	74/85	105 / 118							
	Compressor type		twin rotary									
	Refrigerant type		R32									
	Refrigerant liquid pipe	mm (Inch)	9.52 (3/8)									
	Refrigerant gas pipe	mm (Inch)	15.88 (5/8)				19.05 (3/4)					
	Max pipe length	m	50				75					
	Max drop between I.U.&O.U.	m	30									
	Pre-Charge refrigerant	kg	2.3			2.9		3.0				
	Pre-Charge line length	m	20									
	Additional charge	g/m	45									
	Working Temperature	Cooling(Min-Max)	°C	-15 to 50	-10 to 46	-15 to 50			-20 to 24			
Heating(Min-Max)		°C	-20 to 24	-15 to 24	-20 to 24							

Nominal condition: as per AS/NZS3823  
Indoor temperature (cooling): 27°C DB / 19°C WB; indoor temperature (heating): 20°C DB  
Outdoor temperature (cooling): 35°C DB / 24°C WB; outdoor temperature (heating): 7°C DB / 6°C WB  
Rated Load Amps (RLA) is based on nominal conditions. Use Minimum Circuit Amps (MCA) for power supply infrastructure sizing, etc.

Model			AD180HP5FA-SET		ADH200H1ERK-SET	
			Indoor unit	AD180S2SH5FA	ADH200H1ERG	Outdoor unit
Nominal performance data	Rated capacity	Cooling	Kw Nom (Min-Max)	18.0 (5.3-18.5)	20.0 (6.2-23.5)	
		Heating	Kw Nom (Min-Max)	20.0 (6.0-22.0)	22.8 (7.2-24.8)	
	Rated power input	Cooling	Kw Nom (Min-Max)	5.63 (2.0-7.0)	6.2 (2.5-8.5)	
		Heating	Kw Nom (Min-Max)	5.33 (2.0-7.0)	6.2 (2.5-8.5)	
	EER / COP		w/w	3.20 / 3.75	3.23 / 3.68	
AEER / ACOP		w/w	3.18 / 3.72	3.20 / 3.65		
<b>Indoor Unit</b>						
Electrical	Power input	Watt	600	800		
Performance	Air flow (H/M/L/LL)	l/s	1200/1050/890/725	1200/1050/950/850		
	ESP	Pa	40-270	62-300		
	Sound pressure level (H/M/L)	(H/M/L) dB(A)	54/49/44/39	54/50/45		
Installation	External dimensions (WxDxH)	(WxDxH) mm	1330x895x500	1330x895x500		
	Weight net/shipping	kg	94/123	96 / 125		
	Supply air connection	(WxH) mm	958x377	958 x 377		
	Return air connection	(WxH) mm	1118x347	1118 x 345		
Controls	Wired controller	Optional - Touch	YR-E17A	YR-E17A		
	Wired controller	Optional - Timeclock	YR-E16B	YR-E16B		
	Wireless controller	Optional - Wireless	RE02&YR-HBS01	RE02&YR-HBS01		
	Wi-Fi	optional	HI-WB101DEI	HI-WB101DEI		
<b>Outdoor Unit</b>						
Electrical Parameters	Power supply	Ph/V/Hz	1/220-240/50	3/380-415/50		
	Rated amps	Cooling	21	10.3		
		Heating	21.5	10		
	Maximum amps	Amps	31.0	15.3		
MCA	Amps	32.0	20.0			
Performance	Air flow (H)	m <sup>3</sup> /h	7500	10400		
	Sound power level	dB(A)	73	75		
	Sound pressure level	dB(A)	56	58		
	External dimensions (WxDxH)	(WxDxH) mm	950x370x1350	1050x413x1636		
Installation	Weight net/shipping	kg	104 / 116	160 / 175		
	Compressor type		twin rotary	twin rotary		
	Refrigerant type		R32	R410A		
	Refrigerant liquid pipe	mm	9.52 (3/8)	12.7 (1/2)		
	Refrigerant gas pipe	mm	19.05 (3/4)	19.05 (3/4)		
	Max pipe length	m	75	75		
	Max drop between IU & OU	m	30	50		
	Pre-charge of refrigerant	kg	3.1	6.35		
	Pre-charged line length	m	30	30		
	Additional gas charge	g/m	45	45		
	Working Temperature	Cooling (min-max)	°C	-15 to 50	-10 to 46	
Heating (min-max)		°C	-20 to 24	-20 to 24		

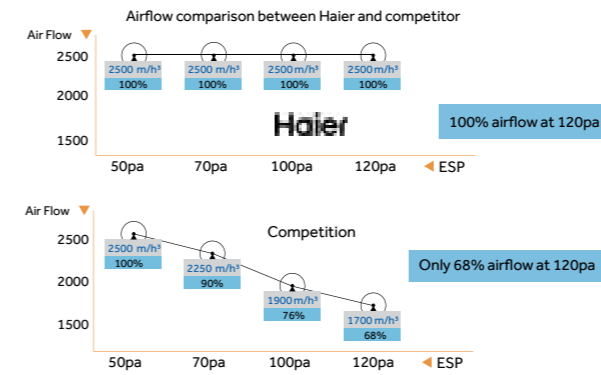
Nominal condition: as per AS/NZS3823  
Indoor temperature (cooling): 27°C DB / 19°C WB; indoor temperature (heating): 20°C DB  
Outdoor temperature (cooling): 35°C DB / 24°C WB; outdoor temperature (heating): 7°C DB / 6°C WB  
Rated Load Amps (RLA) is based on nominal conditions. Use Minimum Circuit Amps (MCA) for power supply infrastructure sizing, etc.



## FEATURES AND BENEFITS

### Consistent airflow

The indoor units can contain up to three fans to provide consistent airflow for different ductwork installations. Haier testing has proven no loss of airflow at increased static pressure installations.



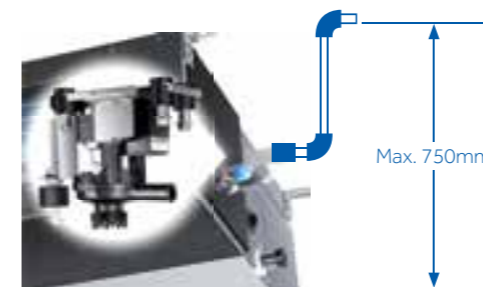
### Accessible wiring

A 45° panel allows easy unscrewing for better access to wiring.



### High-lift drain pump

Designed with a quality built-in condensate pump that can lift water up to 750mm, for flexible installation.



### Return air choices

Clever design allows the rear return air to be easily converted to bottom return air, along with the supplied air filter, to suit the installation.



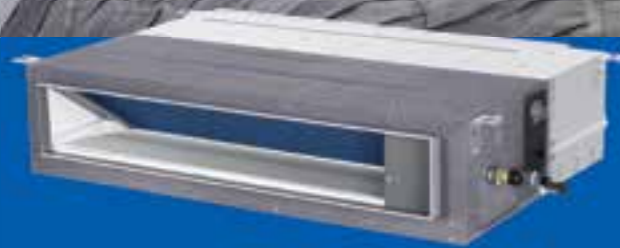
### Left or right drain outlet

In addition to the pump drain outlet, two gravity drain connections are provided, one on the left and one on the right.



### Super slim

The unit is designed with a super low height of 250mm to fit into shallow spaces where a ducted system would otherwise not be suitable.



## LOW PROFILE DUCTED

The Smart Power low profile ducted indoor unit is designed for adaptable installation in shallow spaces, such as between levels in multistorey buildings, for precise temperature control across multiple rooms.

Wi-Fi compatible with the optional accessory (HI-WB101DEI).

# LOW PROFILE DUCTED SPECIFICATIONS



Outdoor unit  
1U71S2SS5FA



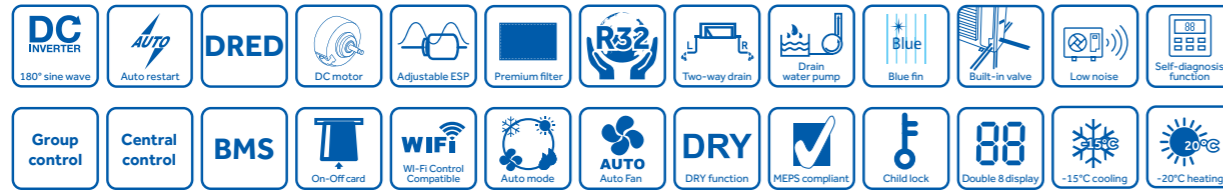
Outdoor unit  
1U100S2SN5FA



Indoor unit  
AD71S2SM7FA



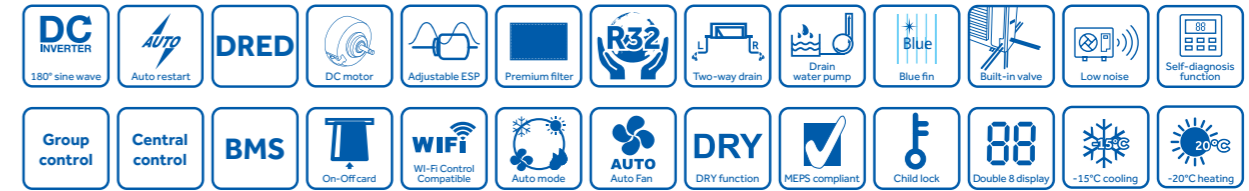
Indoor unit  
AD100S2SM7FA



Outdoor unit  
1U125S2SP5FA  
1U140S2SP5FA



Indoor unit  
AD125S2SM7FA  
AD140S2SM7FA



Model		Indoor unit		AD71S2SM7FA	AD100S2SM7FA
		Outdoor unit		1U71S2SS5FA	1U100S2SN5FA
Rated performance data	Nominal capacity	Cooling	kW nom (min-max)	7.1 (2-8.5)	10 (2.5-11)
		Heating	kW nom (min-max)	7.8 (2-9.5)	10.8 (2.5-12)
	Rated power input	Cooling	kW nom (min-max)	2.1 (0.4-3.5)	3.17 (0.5-5)
		Heating	kW nom (min-max)	2.2 (0.4-3.5)	3.14 (0.5-5)
	EER	W/W	3.38	3.15	
COP	W/W	3.55	3.44		
TCSPF (hot / average / cold climate)		Residential	3.964 / 3.609 / 3.631	4.074 / 3.767 / 3.864	
		Commercial	4.209 / 4.151 / 4.359	4.350 / 4.383 / 4.652	
HSPF (hot / average / cold climate)		Residential	3.590 / 3.403 / 3.111	3.690 / 3.397 / 3.019	
		Commercial	3.576 / 3.453 / 3.216	3.681 / 3.496 / 3.191	
<b>Indoor Unit</b>					
Performance	Air flow (H/M/L/LL)	l/s	402/333/263/194	555/483/383/355	
	ESP	Pa	25-150		
	Sound power level (H/M/L)	dB(A)	58	60	
	Sound pressure level (H/M/L)	dB(A)	42/38/35	44/40/37	
Installation	External dimensions (W/D/H)	mm	1100 x 700 x 248	1500 x 700 x 248	
	Weight net/shipping	kg	38/44	52/62	
	Supply air connection	mm	992 x 165	1392 x 165	
	Return air connection	mm	978 x 238	1378 x 238	
Controller	Wired controller	Optional	YR-E17A		
	Wired controller	Optional	YR-E16		
	Wireless controller	Optional	RE02 & YR-HBS01		
	Wi-Fi	Optional	HI-WB101DEI		
<b>Outdoor Unit</b>					
Electrical	Power supply	Ph/V/Hz	1/220-240/50		
	Rated current	Cooling	Amps	8.8	13.6
		Heating	Amps	9.2	13.6
Maximum current	Amps	17.5	21		
Performance	Air flow (H)	m³/h	3200	4000	
	Sound power level	dB(A)	885	1110	
	Sound pressure level	dB(A)	64	68	
	Sound pressure level	dB(A)	47	52	
Installation	External dimensions (WxDxH)	mm	920 x 372 x 760	950 x 370 x 965	
	Weight net/shipping	kg	60/65	82/94	
	Compressor type		Twin rotary		
	Refrigerant type		R32		
	Refrigerant liquid pipe	mm	9.52		
	Refrigerant gas pipe	mm	15.88		
	Max pipe length	m	50		
	Max drop between IU & OU	m	30		
	Pre-charge of refrigerant	kg	2.5		
	Pre-charged line length	m	20		
	Additional gas charge	g/m	45		
Working temperature	Cooling (min-max)	°C	-15 to 50		
	Heating (min-max)	°C	-20 to 24		

Nominal condition: as per AS/NZS3823.2  
Indoor temperature (cooling): 27°C DB / 19°C WB; indoor temperature (heating): 20°C DB  
Outdoor temperature (cooling): 35°C DB / 24°C WB; outdoor temperature (heating): 7°C DB / 6°C WB

Model		Indoor unit		AD125S2SM7FA	AD140S2SM7FA
		Outdoor unit		1U125S2SP5FA	1U140S2SP5FA
Rated performance data	Nominal capacity	Cooling	kW nom (min-max)	12.0 (3.5-14)	13 (3.5-15)
		Heating	kW nom (min-max)	14 (4-16)	15 (4-18)
	Rated power input	Cooling	kW nom (min-max)	3.77 (1-5.8)	4.11 (1-6.8)
		Heating	kW nom (min-max)	4.01 (1-5.8)	4.29 (1-6.5)
	EER	W/W	3.18	3.16	
COP	W/W	3.49	3.50		
TCSPF (hot / average / cold climate)		Residential	3.947 / 3.678 / 3.760	4.134 / 3.858 / 3.977	
		Commercial	4.190 / 4.201 / 4.445	4.410 / 4.465 / 4.749	
HSPF (hot / average / cold climate)		Residential	3.594 / 3.306 / 2.938	3.646 / 3.351 / 2.978	
		Commercial	3.581 / 3.407 / 3.018	3.634 / 3.455 / 3.060	
<b>Indoor Unit</b>					
Performance	Air flow (H/M/L/LL)	l/s	625/544/466/416	694/600/494/416	
	ESP	Pa	25-150		
	Sound power level (H/M/L)	dB(A)	65	66	
	Sound pressure level (H/M/L)	dB(A)	45/42/37	46/43/38	
Installation	External dimensions (W/D/H)	mm	1500 x 700 x 248	1500 x 700 x 248	
	Weight net/shipping	kg	52/62		
	Supply air connection	mm	1392 x 165		
	Return air connection	mm	1378 x 238		
Controller	Wired controller	Optional	YR-E17A		
	Wired controller	Optional	YR-E16		
	Wireless controller	Optional	RE02 & YR-HBS01		
	Wi-Fi	Optional	HI-WB101DEI		
<b>Outdoor Unit</b>					
Electrical	Power supply	Ph/V/Hz	1/220-240/50		
	Rated current	Cooling	Amps	17	18.5
		Heating	Amps	17	19
Maximum current	Amps	30	32		
Performance	Air flow (H)	m³/h	6500	7000	
	Sound power level	dB(A)	885	1110	
	Sound pressure level	dB(A)	69	70	
	Sound pressure level	dB(A)	52	53	
Installation	External dimensions (WxDxH)	mm	950 x 370 x 1350		
	Weight net/shipping	kg	105/118	108/121	
	Compressor type		Twin rotary		
	Refrigerant type		R32		
	Refrigerant liquid pipe	mm	9.52		
	Refrigerant gas pipe	mm	15.88	19.05	
	Max pipe length	m	75		
	Max drop between IU & OU	m	30		
	Pre-charge of refrigerant	kg	2.5		
	Pre-charged line length	m	20		
	Additional gas charge	g/m	45		
Working temperature	Cooling (min-max)	°C	-15 to 50		
	Heating (min-max)	°C	-20 to 24		

Nominal condition: as per AS/NZS3823.2  
Indoor temperature (cooling): 27°C DB / 19°C WB; indoor temperature (heating): 20°C DB  
Outdoor temperature (cooling): 35°C DB / 24°C WB; outdoor temperature (heating): 7°C DB / 6°C WB





## ROUND WAY CASSETTE

With a DC fan motor and unique round way air outlet, the Smart Power round way cassette indoor unit delivers 360° airflow to reach every part of the room.

Wi-Fi compatible with the optional accessory (HI-WB101DEI).

## FEATURES AND BENEFITS

### Fresh air inlet

A pre-set fresh air inlet can introduce the outside fresh air into the room to improve the indoor air quality.



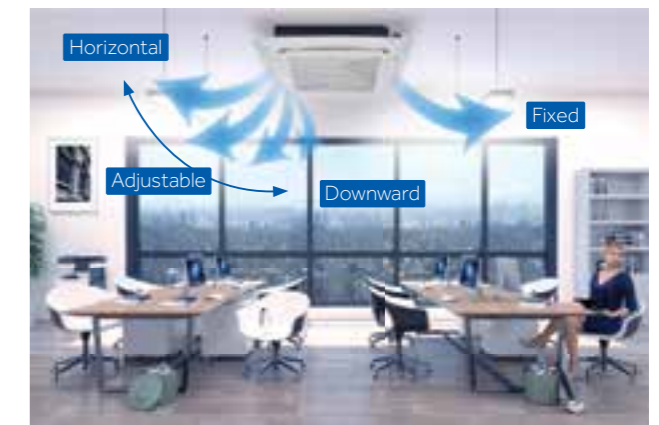
### High-lift drain pump

The built-in condensate pump can lift water up to 1000mm.



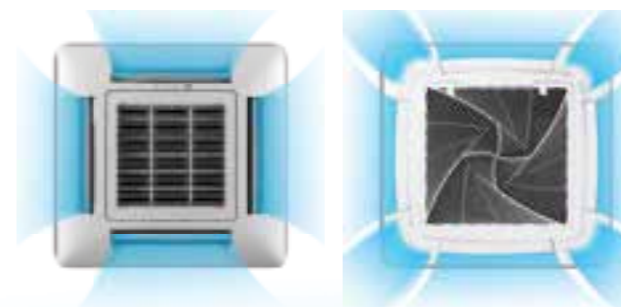
### Individual louvre control

The four louvres can be controlled individually using the supplied controller for maximum comfort throughout the room.



### Round flow air supply

Air supply in all directions to improve air distribution.



Traditional four-way airflow

New round way airflow design

### Hidden LCD Display

Discreet LCD display design shows green for cooling and red for heating.



# ROUND WAY CASSETTE SPECIFICATIONS



Outdoor unit  
1UH071N1ERG  
1UH105N1ERG



YR-HQS01



Indoor unit  
ABH071H5ERG  
ABH105K5ERG  
ABH125K5ERG



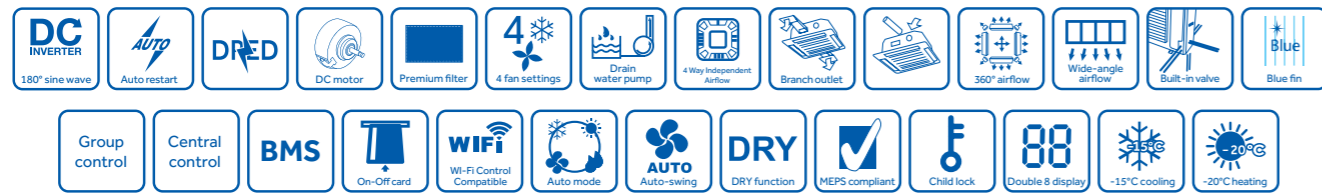
Outdoor unit  
1U125P1ERG  
1U125P1ERK  
1U125S2SP5FA



YR-HQS01



Indoor unit  
ABH125K5ERG



Model		Indoor unit		ABH071H5ERG	ABH105K5ERG
		Outdoor unit		1U71S2SS5FA	1U100S2SN5FA
Rated performance data	Capacity	Cooling	kW nom (min-max)	7.1 (2.0-8.0)	10.0 (2.5-11)
		Heating	kW nom (min-max)	8.0 (2.0-9.0)	10.6 (2.5-12.0)
	Rated power input	Cooling	kW nom (min-max)	2.07 (0.4-3.5)	3.16 (0.5-4.7)
		Heating	kW nom (min-max)	2.10 (0.4-3.5)	3.25 (0.5-4.7)
	EER		W/W	3.43	3.16
	COP		W/W	3.81	3.54
	AEER		W/W	3.38	3.14
	ACOP		W/W	3.76	3.51
Star Rating					
<b>Indoor Unit</b>					
Performance	Air flow (H/M/L)		m <sup>3</sup> /h	1360/1260/1070/820	1680/1530/1320/1190
			L/S	378/350/297/228	467/425/367/331
	Sound power level		dB(A)	62	62
Installation	Sound pressure level (H/M/L)		dB(A)	35/33/29/26	45/42/38/34
	External dimensions (WxDxH)		mm	840x840x246	840x840x288
	Shipping dimensions (WxDxH)		mm	990x990x310	990x990x380
Controller	Weight Net/Shipping		kg	31 / 36	32 / 38
	Wireless Controller	Optional		YR-HQS01	YR-HQS01
Panel	Wired Controller	Optional		YR-E17A	YR-E17A
	Panel Model			PB-950KB (standard panel) PB-950MB (sensor panel)	PB-950KB (standard panel) PB-950MB (sensor panel)
	External dimensions (WxDxH)		mm	950x950x50	950x950x50
	Shipping dimensions (WxDxH)		mm	1000x1000x110	1000x1000x110
Outdoor Unit	Weight Net/Shipping		kg	6.5/9	6.5/9
	<b>Electrical</b>				
Electrical	Power supply		Ph/V/Hz	1/220-240/50	1/220-240/50
	Rated Current	Cooling	Amps	9	13.6
		Heating	Amps	9.2	13.6
Maximum Current		Amps	16	20	
Performance	MCA		Amps	25	32
	Air flow (H)		m <sup>3</sup> /h	3200	4000
	Sound power level		dB(A)	64	68
Installation	Sound pressure level		dB(A)	47	52
	External dimensions (WxDxH)		mm	920x372x760	950x370x965
	Shipping dimensions (WxDxH)		mm	1036x478x820	1050x450x1095
	Net/Shipping Weight		kg	60/65	82/94
	Compressor type			Twin rotary	Twin rotary
	Refrigerant type			R32	R32
	Refrigerant liquid pipe		mm	9.52	9.52
	Refrigerant gas pipe		mm	15.88	15.88
	Max pipe length		m	50	50
	Max drop between IU & OU		m	30	30
	Refrigerant pre-charged		kg	1.7	2.3
	Chargless length		m	20	20
	Refrigerant charge quantity for extra length		g/m	45	45
	Working temperature	Cooling(min-max)		°C	-15 to 50
Heating(min-max)			°C	-20 to 24	-20 to 24

Nominal condition: as per AS/NZS3823.2  
Indoor temperature (cooling): 27°C DB / 19°C WB; indoor temperature (heating): 20°C DB  
Outdoor temperature (cooling): 35°C DB / 24°C WB; outdoor temperature (heating): 7°C DB / 6°C WB

Model		Indoor unit		ABH125K5ERG	
		Outdoor unit		1U125S2SP5FA	
Rated performance data	Capacity	Cooling	kW nom (min-max)	12.0 (3.5-14.0)	
		Heating	kW nom (min-max)	13.0 (4.0-15)	
	Rated power input	Cooling	kW nom (min-max)	3.80 (1.0-5.8)	
		Heating	kW nom (min-max)	4.0 (1.0-5.8)	
	EER		W/W	3.16	
	COP		W/W	3.25	
	AEER		W/W	3.13	
	ACOP		W/W	3.23	
Star Rating					
<b>Indoor Unit</b>					
Performance	Air flow (H/M/L)		m <sup>3</sup> /h	1950/1600/1440/1200	
			L/S	542/444/400/333	
	Sound power level		dB(A)	64	
Installation	Sound pressure level (H/M/L)		dB(A)	47/44/38/34	
	External dimensions (WxDxH)		mm	840x840x288	
	Shipping dimensions (WxDxH)		mm	990x990x380	
Controller	Weight Net/Shipping		kg	32 / 38	
	Wireless Controller	Optional		YR-HQS01	
Panel	Wired Controller	Optional		YR-E17A	
	Panel Model			PB-950KB (standard panel) PB-950MB (sensor panel)	
	External dimensions (WxDxH)		mm	950x950x50	
	Shipping dimensions (WxDxH)		mm	1000x1000x110	
Outdoor Unit	Weight Net/Shipping		kg	6.5/9	
	<b>Electrical</b>				
Electrical	Power supply		Ph/V/Hz	1/220-240/50	
	Rated Current	Cooling	Amps	17	
		Heating	Amps	17.2	
Maximum Current		Amps	26		
Performance	MCA		Amps	40	
	Air flow (H)		m <sup>3</sup> /h	6500	
	Sound power level		dB(A)	69	
Installation	Sound pressure level		dB(A)	52	
	External dimensions (WxDxH)		mm	950x370x1350	
	Shipping dimensions (WxDxH)		mm	1090x480x1500	
	Net/Shipping Weight		kg	100/118	
	Compressor type			Twin rotary	
	Refrigerant type			R32	
	Refrigerant liquid pipe		mm	9.52	
	Refrigerant gas pipe		mm	15.88	
	Max pipe length		m	75	
	Max drop between IU & OU		m	30	
	Refrigerant pre-charged		kg	2.9	
	Chargless length		m	30	
	Refrigerant charge quantity for extra length		g/m	45	
	Working temperature	Cooling(min-max)		°C	-15 to 50
Heating(min-max)			°C	-20 to 24	

Nominal condition: as per AS/NZS3823.2  
Indoor temperature (cooling): 27°C DB / 19°C WB; indoor temperature (heating): 20°C DB  
Outdoor temperature (cooling): 35°C DB / 24°C WB; outdoor temperature (heating): 7°C DB / 6°C WB

## Controller, YR-E17A

- Touchscreen display with backlight
- Clock, 24-hour timer
- On/Off, Mode, Fan speed, Temperature setting, Swing
- Individual and group control (max. 16 indoor units)
- Static pressure setting
- Humidity sensor with humidity display
- Infrared receiver for wireless controller



## Controller, YR-E16B

- Large colour LCD display with touch buttons and backlight
- Clock, weekly timer
- On/Off, Mode, Fan speed, Temperature setting, Swing
- Individual and group control (max. 16 indoor units)
- Static pressure setting



## Remote Controller, YR-HRS01 and Infrared Receiver, RE-02

- Optional remote control for ducted systems
- Requires a wired receiver, YR-HRS01



## Remote Controller, YR-HQS01

- Supplied with Round Way Cassette
- Large display and buttons for easy use
- Temperature setting of 0.5 degree increments
- Individual cassette louvre control



## Wi-Fi Accessory, HI-WB101DEI

- Wi-Fi control
- Free download of the app, compatible with Apple and Android
- Weekly timer
- Connect multiple units



## Central Controller, HC-SA164DBT

- Individual and group control (max. 64 indoor units)
- 5" TFT colour touchscreen
- Weekly schedule control
- Compatible with MRV, Smart Power, Super Match and HRV



## Central Controller, YCZ-A004

- Individual and group control (max. 256 indoor units)
- 7" colour touchscreen
- Schedule control
- Compatible with Smart Power, MRV and hi wall split systems with the required accessories



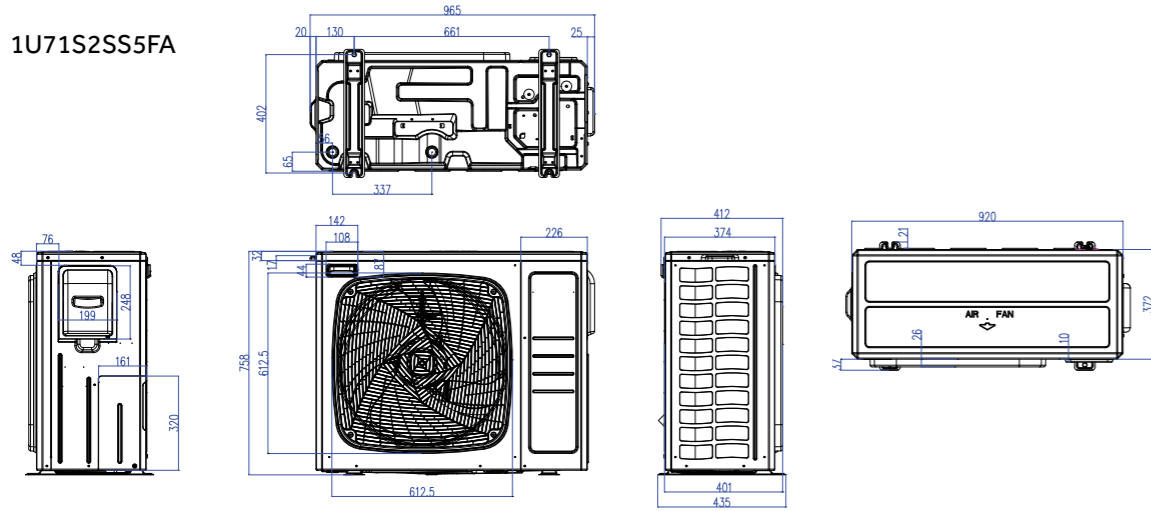
## SmartZone Controller, HW-ZA101DBT

- Flexibility to switch on and off up to eight zones
- Customisation of zone name settings
- Backlit display
- Weekly timer

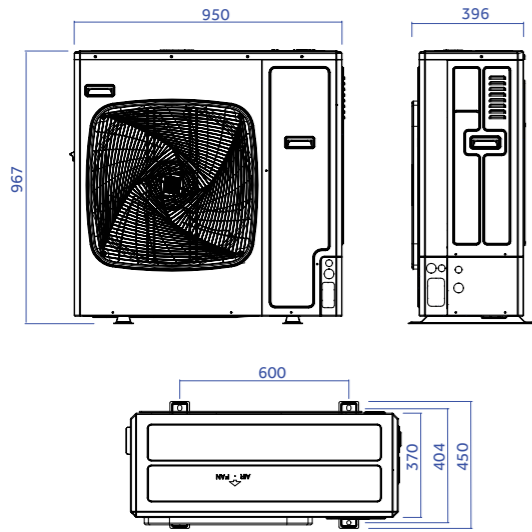


# OUTDOOR UNIT DRAWINGS

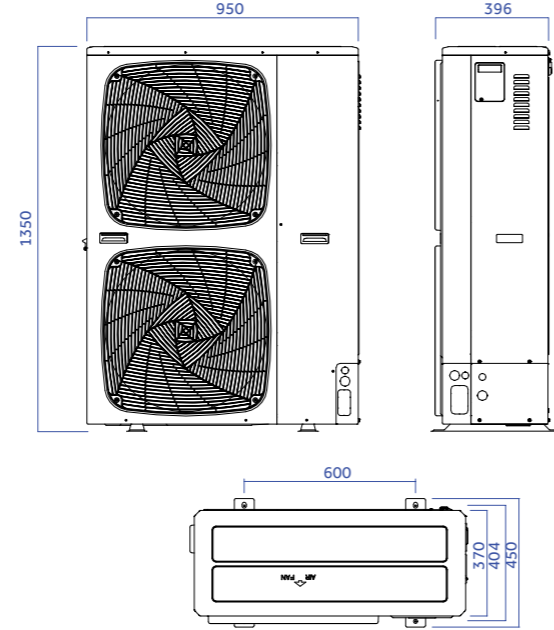
1U71S2SS5FA



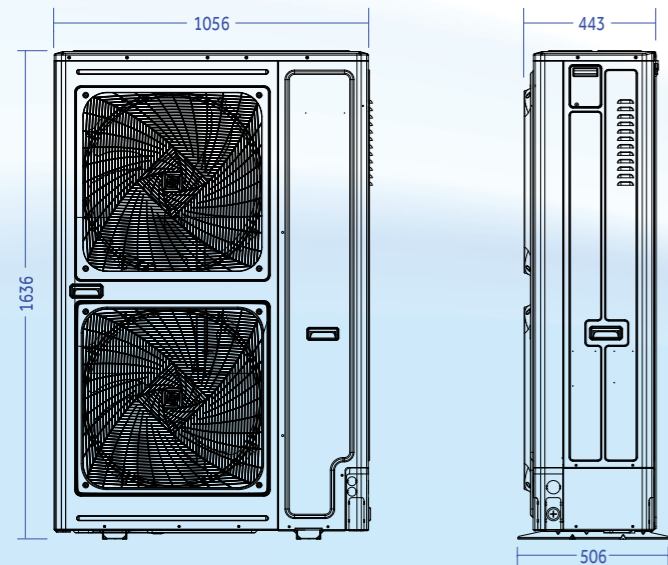
1UH071N1ERG, 1U100S2SN5FA,  
1UH105N1ERG, 1U125S2SN5FA



1U125S2SP5FA, 1U140S2SP5FA, 1U160S2SP5FA,  
1UH125P1ERG, 1UH125P1ERK, 1U180S2SP5FA



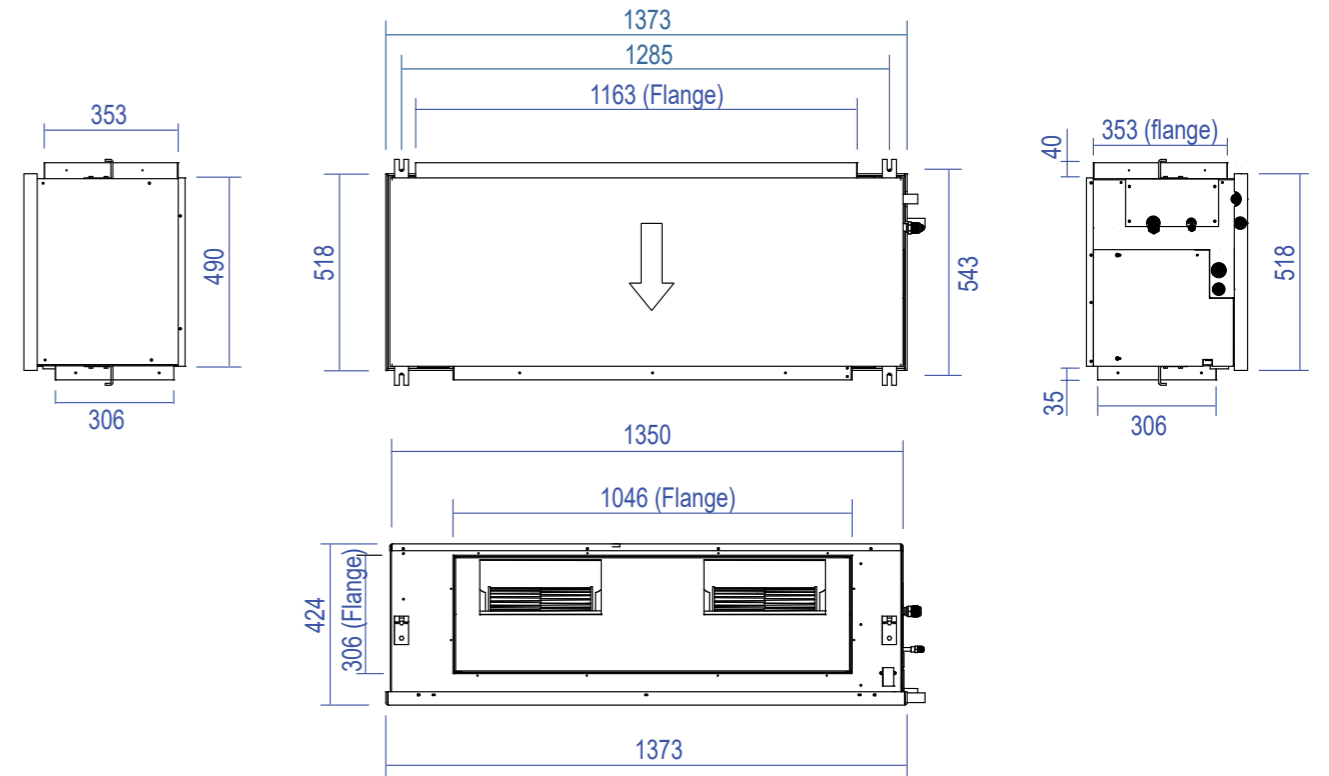
1UH200W1ERK



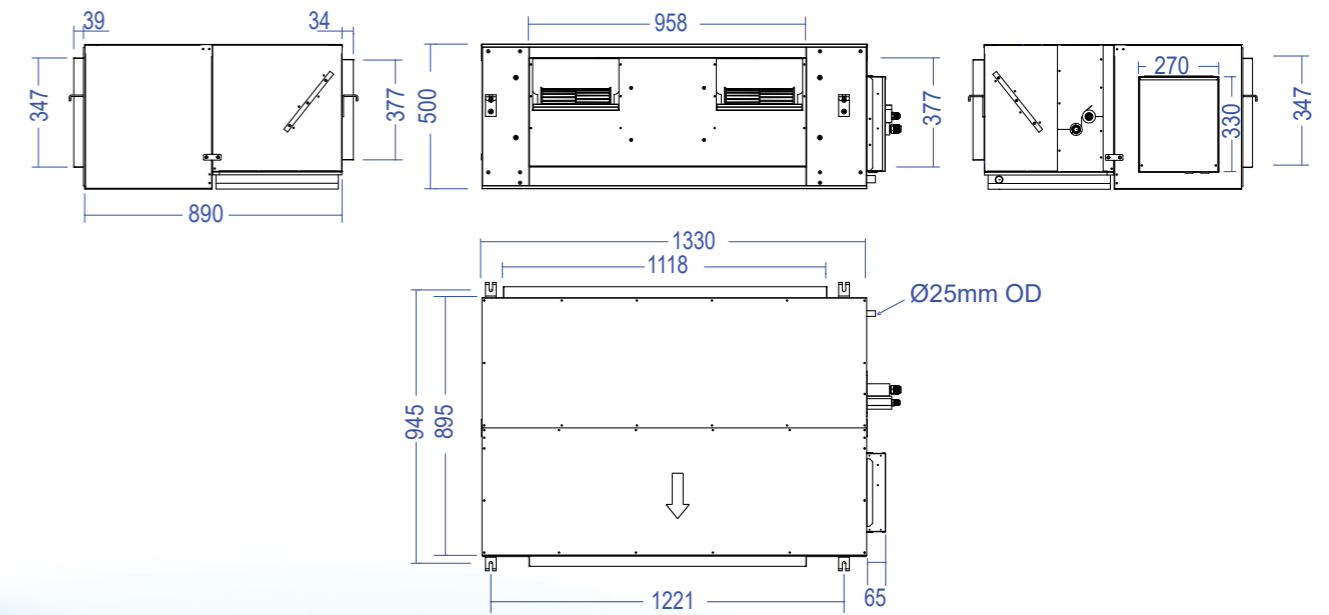
# INDOOR UNIT DRAWINGS

## HIGH STATIC DUCTED

AD100S2SH5FA, AD125S2SH5FA, AD140S2SH5FA, AD160S2SH5FA

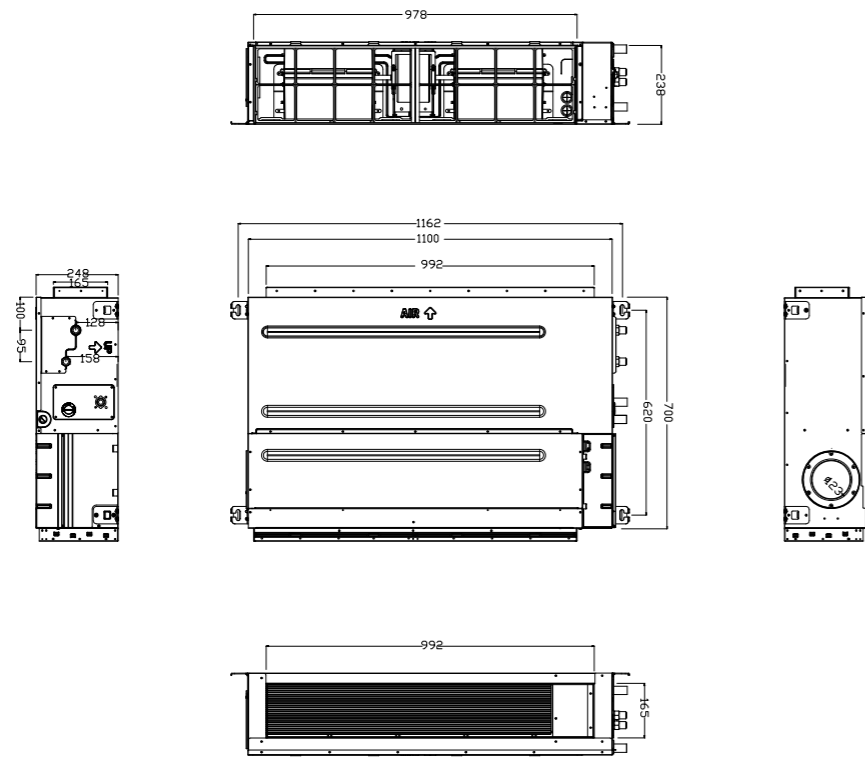


ADH200H1ERG, AD180S2SH5FA

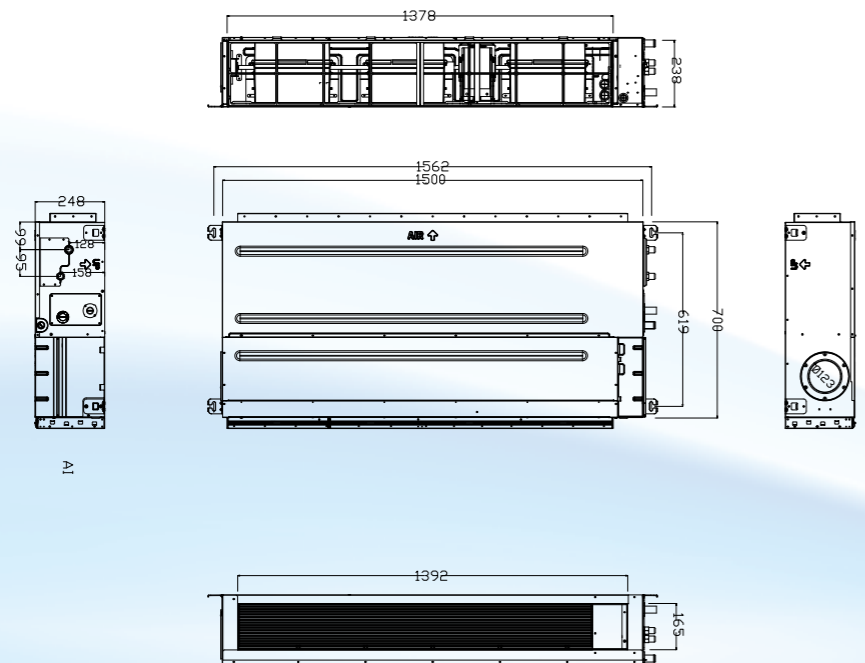


LOW PROFILE DUCTED

AD71S2SM7FA



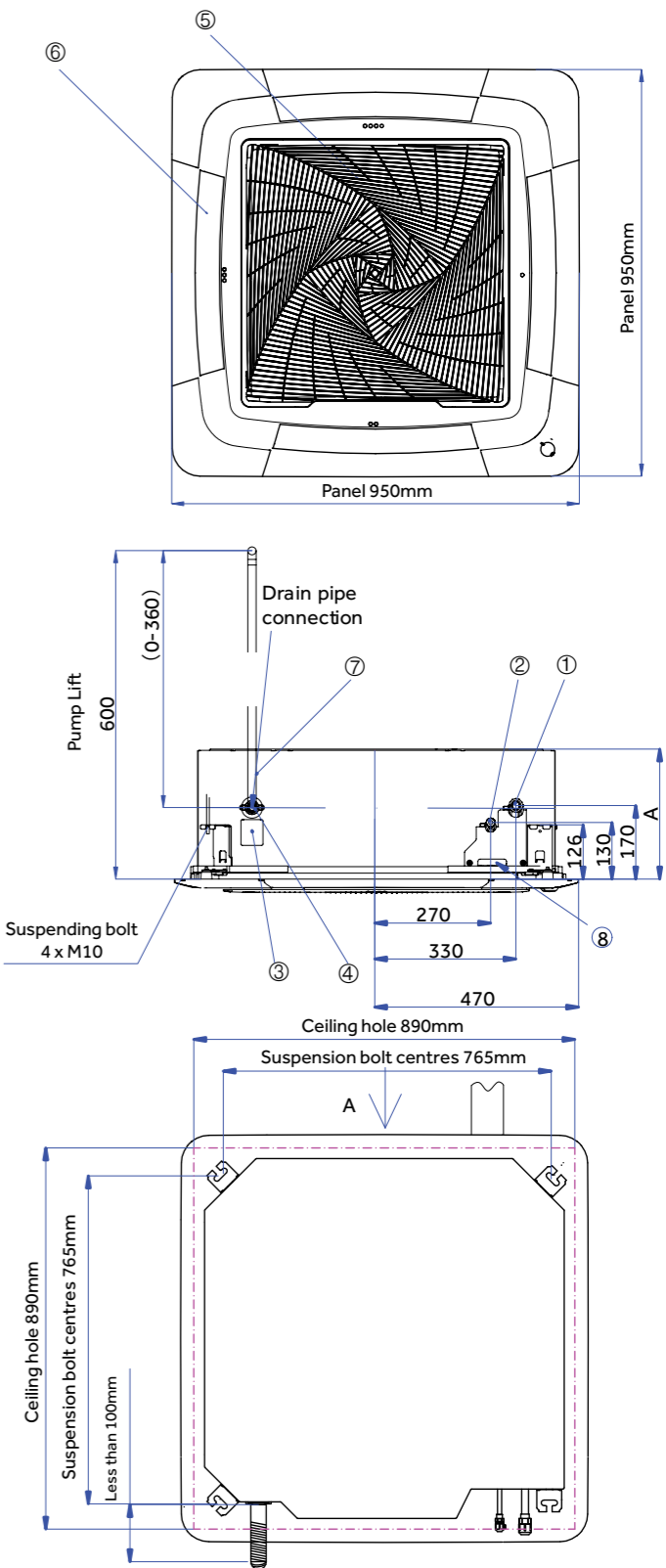
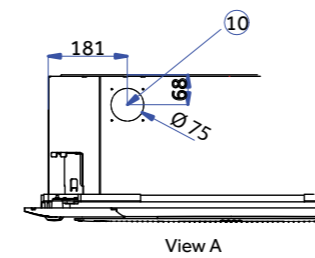
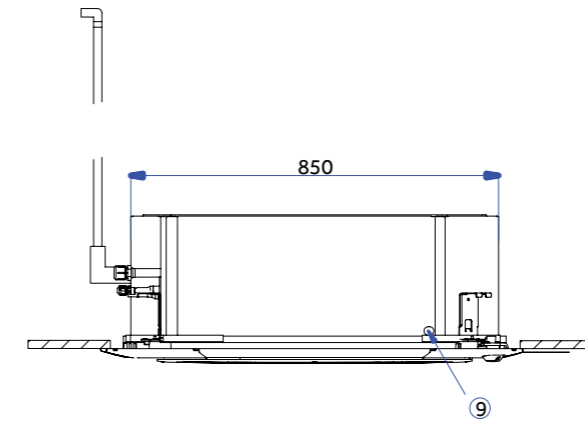
AD100S2SM7FA, AD125S2SM7FA, AD140S2SM7FA



ROUND WAY CASSETTE

ABH071H5ERG, ABH105K5ERG, ABH125K5ERG

Code	Name
1	Gas pipe
2	Liquid pipe
3	Drain observation plate
4	Drain pipe
5	Air return grille
6	Air outlet
7	Drain connection pipe (accessory)
8	Power supply inlet
9	PQ line inlet
10	Fresh air inlet



Model	ABH071H5ERG	ABH105H5ERG	ABH125K5ERG
A (mm)	248	288	288

# Haier Brand Story

**Who is Haier?** World's largest home appliance manufacturer



Haier is the number one brand of major appliances in the world in volume sales\*



Founded in 1984, 2021 marked our 37<sup>th</sup> year

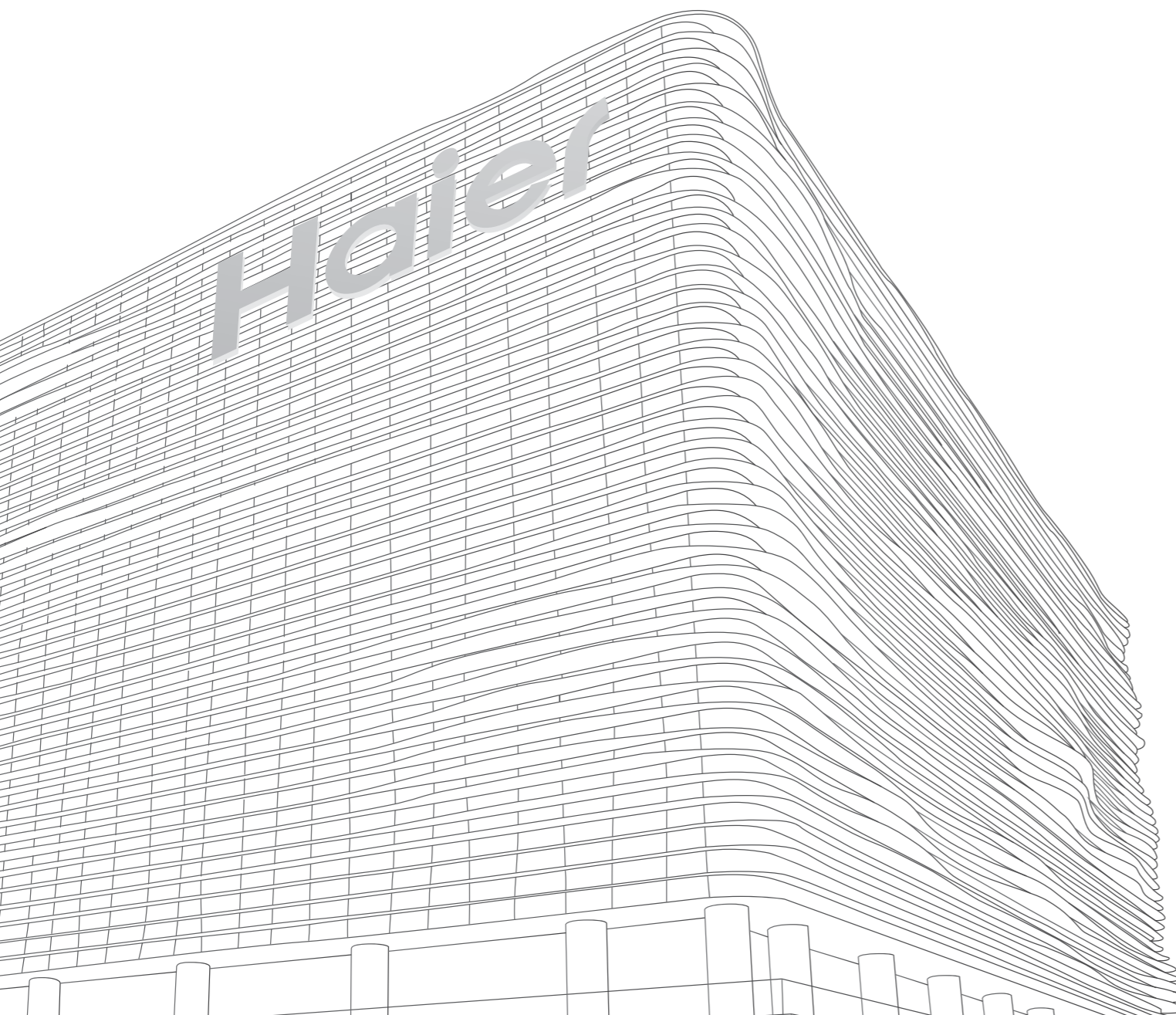


Parent company of GE Appliances



Distributed by Fisher & Paykel, a wholly owned Haier subsidiary

\*Source Euromonitor International Limited: Consumer Appliances 2018 ed. % unit share, 2017 data. Major Appliances category is the sum of dishwashers, home laundry appliances, large cooking appliances, microwaves and refrigeration appliances.



## The evolution of Haier Air Conditioning



### 1985

- Qingdao Qingkong Air Conditioner Factory formed
- China's **first Split System AC**

### 1993

- Qingdao Qingkong AC Factory **merged** with Haier Group
- China's **first Inverter AC**

### 1994

- Haier gains **ISO9001 Certificate**
- Haier acquires **1st export** business to Italy

### 1998

- China's **first DC Inverter AC**

### 2000-2003

- Energy Star Certification from **EPA**
- Commenced exporting to **Japan**
- DC Inverter with R410A technology

### 2017-2018

- Launched Haier Voice Activated Air Conditioning - Dawn Series

### 2010

- Introduced **intelligent AC** with additional functions for security management and monitoring

### 2011-2012

- Improved air quality features including models with formaldehyde elimination and PM2.5 elimination

### 2013-2014

- Launched **Wi-Fi AC** in China, Italy & South Asia
- Maintaining 15% market share in America for WAC and top 5 ranking in Italy

### 2015-2016

- Built the world's most advanced intelligent factory
- Launched full range of evaporator self-cleaning air conditioners in the industry
- Haier Vietnam air conditioner factory started manufacturing

### 2013-2014

- Launched easy installation products - Flexis Series
- Haier India air conditioner factory started manufacturing

### 2021

- Haier is the number one brand of connected air conditioner (including smart air conditioner) in the world, with a market share of over 33% in 2021\*

\*Haier is the number one brand of connected air conditioner (including smart air conditioner) in the world, with a market share of over 33% in terms of volume sales in 2021. Data source: Euromonitor International Ltd., measured in terms of retail volume sales in 2021, based on research conducted in February 2022. Connected air conditioner is defined as air conditioners with connectivity capability to communicate with other appliances and/or other devices and/or consumers.



## Customer Care

The fastest growing localised AC service team in the country

Visit the website for technical data

[haier.com.au/air-conditioning](https://haier.com.au/air-conditioning)

[haier.co.nz/air-conditioning/](https://haier.co.nz/air-conditioning/)

24/7 customer support and service booking

**1300 729 948**

**0800 242 437**

**Haier**

Important notice of Disclosure: Copyright © Fisher & Paykel Appliances 2021. All rights reserved. The product dimensions and specifications in this brochure apply to the specific products and models described at the date of issue. Under our policy of continuous product improvement, these dimensions and specifications may change at any time. You should therefore check with your dealer or Haier's Customer Care Centre to ensure this flyer correctly describes the products currently available.

Fisher & Paykel Australia Pty Ltd, Level 1, 1 Eden Park Drive, Macquarie Park, NSW 2113.

Phone Customer Care: 1300 729 948 Email: [customer.care@haier.com.au](mailto:customer.care@haier.com.au)

Fisher & Paykel Appliances, 78 Springs Rd, East Tamaki, Auckland 2013.

Phone Customer Care: 0800 242 437 Email: [customer.care@haier.co.nz](mailto:customer.care@haier.co.nz)

Version 2023/02