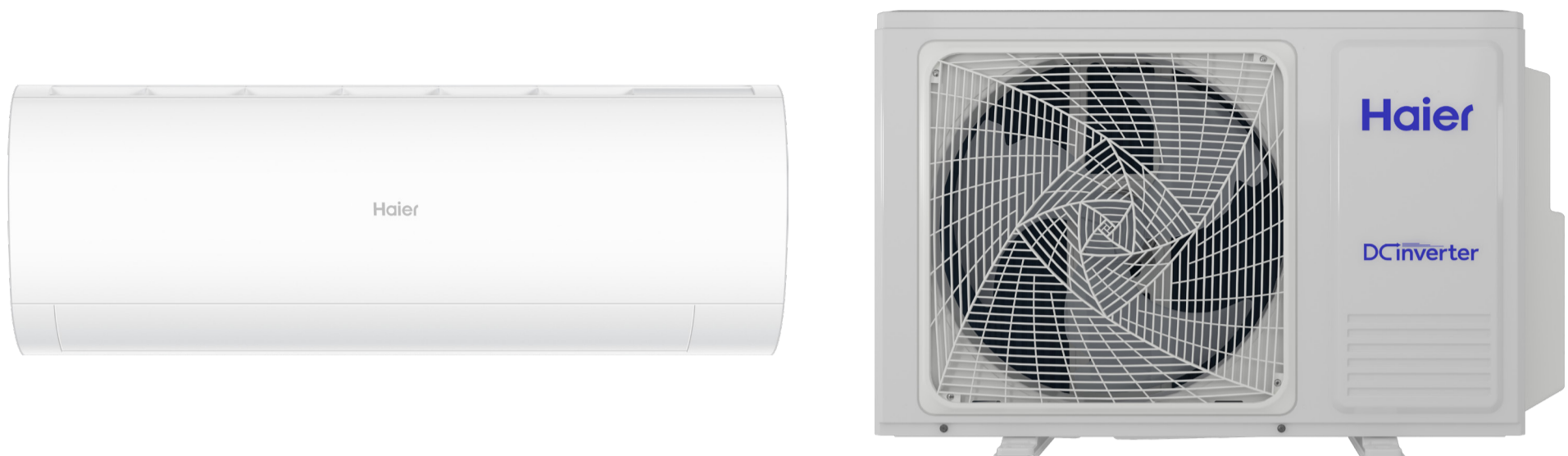


500 Series Wall Mounted

AS25PFHRA-SET, AS35PFHRA-SET, AS50PFHRA-SET, AS71PFHRA-SET



500 Series Wall Mounted

The 500 Series Hi Wall split system provides efficient heating and cooling across a range of room sizes. Featuring Intelligent Air, Coanda Plus airflow and Wi-Fi enabled control via the SmartHQ™ app, it is designed for quiet performance and straightforward installation.

Features

EECA Approved

Listed onto approved heat pump products for council funding program

Intelligent Air

Intelligent Air directs cool air up and warm air down for efficient airflow

Turbo Cooling

Turbo mode increases motor speed to rapidly adjust room temperature

3D Airflow

3D Airflow swings horizontally and vertically to help distribute air more evenly

Coanda Plus Airflow

Coanda Plus airflow supports even air distribution across the room

Self-Clean

Self-clean function helps remove dirt from indoor and outdoor coils

Smart Control

The SmartHQ™ app puts control in your hands, allowing you to manage your air conditioner remotely from anywhere, at any time. Compatible with Google Home and Amazon Alexa for added convenience.

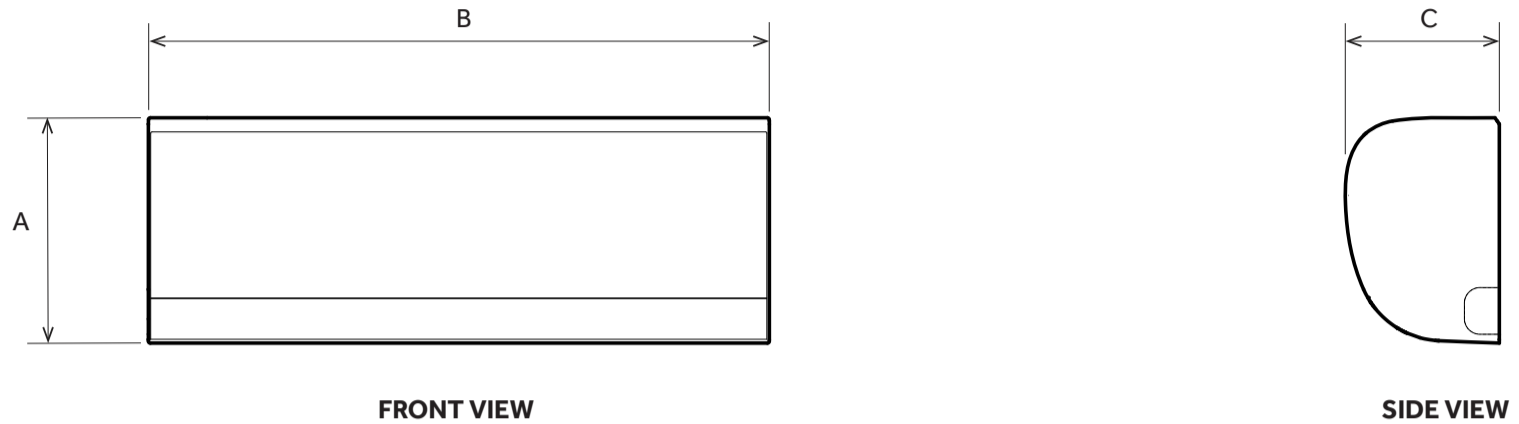
Easy Installation

Designed for easy installation, Haier 500 Series systems feature simple positioning requirements, with accessible control boards and motors for efficient servicing and maintenance.

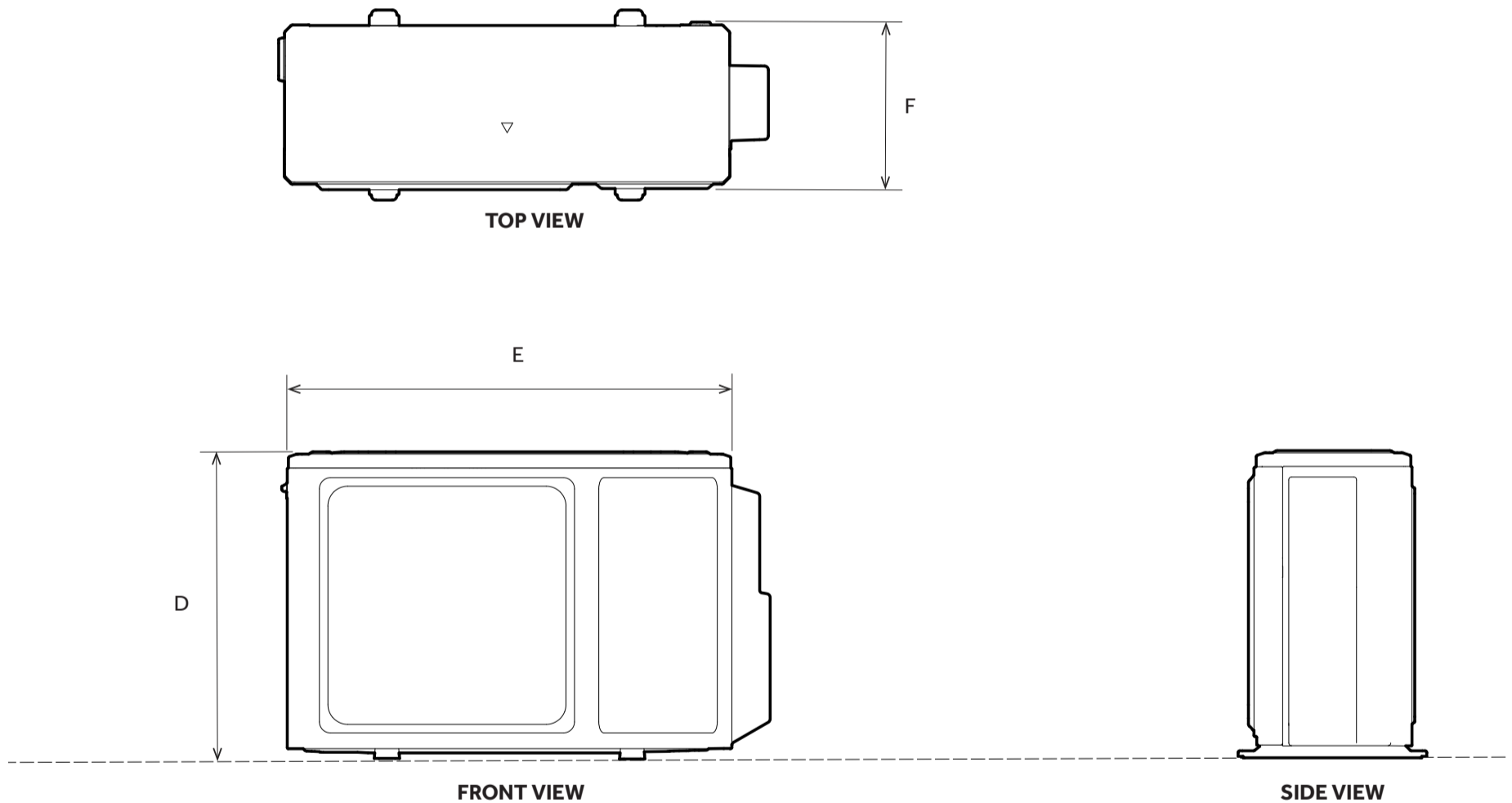
500 Series Wall Mounted

AS25PFHRA-SET, AS35PFHRA-SET, AS50PFHRA-SET, AS71PFHRA-SET

INDOOR UNIT



OUTDOOR UNIT



DRAWING NOT TO SCALE

	Model	AS25PFHRA-SET	AS35PFHRA-SET	AS50PFHRA-SET	AS71PFHRA-SET
A	Indoor unit - Product Height (mm)	292	307	318	345
B	Indoor unit - Product Width (mm)	805	875	975	1105
C	Indoor unit - Product Depth (mm)	200	217	220	240
D	Outdoor unit - Product Height (mm)	549	549	642	705
E	Outdoor unit - Product Width (mm)	753	753	820	890
F	Outdoor unit - Product Depth (mm)	275	275	306	340

90005759B - The models shown in this Specification Guide (SG) may not be available in all markets and are subject to change at any time. Product specifications may vary from those shown. This SG should not be used as installation guidance for any product. Further information is required to safely and correctly install the products featured here. Specific installation guidance will be available with the product on delivery and on our website haierhome.com

500 Series Wall Mounted

AS25PFHRA-SET, AS35PFHRA-SET, AS50PFHRA-SET, AS71PFHRA-SET

Model		Set	AS25PFHRA-SET	AS35PFHRA-SET	AS50PFHRA-SET	AS71PFHRA-SET
		Indoor	AS25PFHRA	AS35PFHRA	AS50PFHRA	AS71PFHRA
		Outdoor	1U25PFHRA	1U35PFHRA	1U50PFHRA	1U71PFHRA
Capacity (Minimum~ Maximum)	Cooling	kW	2.5 (0.8~3.0)	3.5 (1.0~3.9)	5.0 (1.4~5.3)	7.1 (1.8~7.6)
	Heating (H1)	kW	3.2 (0.9~3.4)	3.7 (1.2~4.1)	5.3 (1.5~5.5)	8.0 (2.2~8.6)
	Heating (H2)	kW	3.5	3.7	4.7	8.1
Power input (Minimum~ Maximum)	Cooling	kW	0.53 (0.20~1.44)	0.94 (0.30~1.58)	1.30 (0.36~1.90)	1.92 (0.48~2.70)
	Heating	kW	0.74 (0.20~1.58)	0.87 (0.30~1.74)	1.26 (0.38~2.50)	2.15 (0.50~3.40)
Star Rating (Hot/Average/Cold)	Cooling		5.5/5.0/5.0	5.0/4.5/4.5	4.5/4.0/4.0	3.5/3.5/3.0
	Heating		3.0/3.0/2.5	3.5/3.0/2.5	3.5/3.0/2.0	3.5/2.0/3.5
TCSPF (Hot/Average/Cold)	Residential		7.496/6.650/6.894	6.925/6.089/6.494	6.281/5.704/6.001	6.065/5.553/5.878
	Commercial		9.951/11.253/17.573	10.422/12.532/29.925	8.595/9.829/17.260	7.548/8.531/11.614
HSPF (Hot/Average/Cold)	Residential		4.987/4.584/4.222	5.463/4.843/4.311	5.302/4.650/3.982	4.832/4.240/3.723
	Commercial		4.984/4.739/4.419	5.475/5.103/4.629	5.313/4.918/4.340	4.848/4.492/4.037
Electrical						
Rated Load Amps (RLA)	Cooling	Amp	2.3	4.1	5.8	8.5
	Heating	Amp	3.3	3.8	5.6	9.5
Maximum Amps		Amp	6.0	6.6	9.0	15.0
Minimum Circuit Breaker Amps (1)		Amp	10	10	16	20
Power cable connection location			Outdoor			
Power supply		Ph/V/Hz	1/220-240/50			
Refrigeration						
Refrigerant Type			R32			
Refrigerant Factory Charge		kg	0.78	0.66	0.90	1.42
Pipe Size	Liquid Line	mm (Inch)	6.35 (¼)	6.35 (¼)	6.35 (¼)	6.35 (¼)
	Suction Line	mm (Inch)	9.52 (¾)	9.52 (¾)	12.70 (½)	12.70 (½)
Pipe Length (Min~Max)			3~15	3~15	3~25	3~25
Maximum Height Difference		m	10	10	15	15
Precharged up to a Length		m	7	7	10	10
Additional Refrigerant		grams/meter	20	20	20	20
Indoor Unit						
External dimension	HxWxD		292x805x200	307x875x217	318x975x220	345x1105x240
Net weight		kg	8.5	10.0	11.7	15.5
Air Flow H/M/L	Cooling	L/S	195/175/150	230/205/170	265/215/170	310/270/225
	Heating	L/S	180/160/145	215/195/160	250/205/160	300/260/215
Sound Pressure Level (High/Medium/Low/quiet)	SPL	dB(A)	38/34/30/24	40/36/32/25	43/39/37/28	48/44/38/33
Remote			HE			
Outdoor Unit						
External dimension	HxWxD		549x753x275	549x753x275	642x820x306	705x890x340
Net weight		kg	25.0	23.7	33.3	44
Compressor Type			Rotary	Rotary	Rotary	Rotary
Sound Pressure Level	SPL	dB(A)	48	49	53	57
Sound Power Level (SWL)	SWL	dB(A)	60	61	63	69
Outdoor Unit						
Outdoor (Min ~ Max)		Cooling	-10°C ~ 46°C			
Outdoor (Min ~ Max)		Heating	-15°C ~ 24°C			
Features						
Blue fin coils outdoor and indoor			Yes	Yes	Yes	Yes
Self Clean indoor and outdoor			Yes	Yes	Yes	Yes

Notes:

(1) Note: The circuit breaker must comply with local/national wiring regulations and be appropriate for the conductors used and their method of installation.

90005759B - The models shown in this Specification Guide (SG) may not be available in all markets and are subject to change at any time. Product specifications may vary from those shown. This SG should not be used as installation guidance for any product. Further information is required to safely and correctly install the products featured here. Specific installation guidance will be available with the product on delivery and on our website haierhome.com